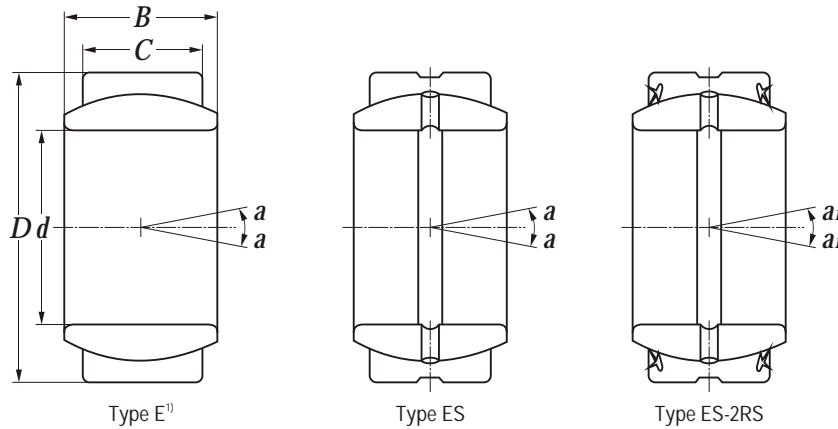




Technical Information



Inner bore <i>d</i> mm	Bearing number		Nominal dimensions					Basic load ratings		Weight Kg
	without seals	with seals	<i>D</i> mm	<i>B</i> mm	<i>C</i> mm	<i>a</i> > degrees	<i>a</i> > degrees	dynamic	static	
								C N	Co N	
4	GE 4 E	-	12	5	3	16	-	2,040	10,200	0.003
5	GE 5 E	-	14	6	4	13	-	3,400	17,000	0.004
6	GE 6 E	-	14	6	4	13	-	3,400	17,000	0.004
8	GE 8 E	-	16	8	5	15	-	5,500	27,500	0.008
10	GE 10 E	-	19	9	6	12	-	8,150	40,500	0.012
12	GE 12 E	-	22	10	7	10	-	10,800	54,000	0.017
15	GE 15 ES	-	26	12	9	8	-	17,000	85,000	0.032
17	GE 17 ES	-	30	14	10	10	-	21,200	106,000	0.050
20	GE 20 ES	GE 20 ES-2RS	35	16	12	9	6	30,000	146,000	0.065
	-	GEH 20 ES-2RS	42	25	16	-	15	48,000	240,000	0.160
25	GE 25 ES	GE 25 ES-2RS	42	20	16	7	4	48,000	240,000	0.120
	-	GEH 25 ES-2RS	47	28	18	-	14	62,000	310,000	0.200
30	GE 30 ES	GE 30 ES-2RS	47	22	18	6	4	62,000	310,000	0.160
	-	GEH 30 ES-2RS	55	32	20	-	16	80,000	400,000	0.350
35	GE 35 ES	GE 35 ES-2RS	55	25	20	6	4	80,000	400,000	0.230
	-	GEH 35 ES-2RS	62	35	22	-	15	100,000	500,000	0.470
40	GE 40 ES	GE 40 ES-2RS	62	28	22	7	4	100,000	500,000	0.320
	-	GEH 40 ES-2RS	68	40	25	-	14	127,000	640,000	0.610
45	GE 45 ES	GE 45 ES-2RS	68	32	25	7	4	127,000	640,000	0.460
	-	GEH 45 ES-2RS	75	43	28	-	13	156,000	780,000	0.800
50	GE 50 ES	GE 50 ES-2RS	75	35	28	6	4	156,000	780,000	0.560
	-	GEH 50 ES-2RS	90	56	36	-	16	245,000	1,220,000	1.600
60	GE 60 ES	GE 60 ES-2RS	90	44	36	6	3	245,000	1,220,000	1.100
	-	GEH 60 ES-2RS	105	63	40	-	15	315,000	1,560,000	2.400

¹⁾ No lubrication groove and hole.