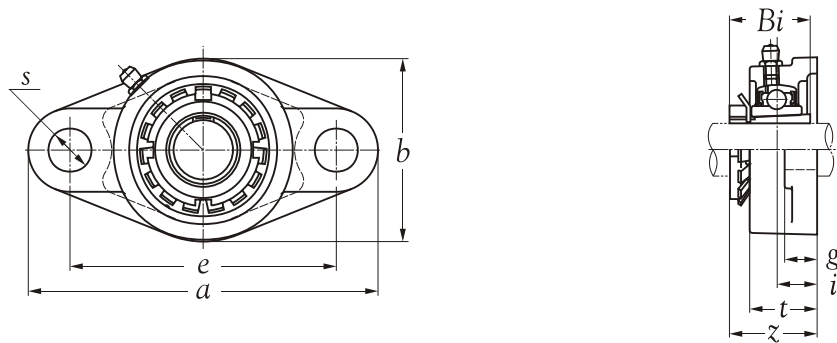




Technical Information



Shaft dia. mm	Unit number	Nominal dimensions mm									Bolt size mm	Bearing number	Housing number	Mass of unit Kg
		<i>a</i>	<i>e</i>	<i>i</i>	<i>g</i>	<i>t</i>	<i>b</i>	<i>s</i>	<i>z</i>	<i>Bi</i>				
20	UKFL 205	130	99	16	13	27.0	68	16	35.5	35	M 14	UK 205	FL 205	0.54
25	UKFL 206	148	117	18	13	31.0	80	16	39.0	38	M 14	UK 206	FL 206	0.84
30	UKFL 207	161	130	19	14	34.0	90	16	42.5	43	M 14	UK 207	FL 207	1.04
35	UKFL 208	175	144	21	14	36.0	100	16	46.5	46	M 14	UK 208	FL 208	1.27
40	UKFL 209	188	148	22	16	38.0	108	19	48.5	50	M 16	UK 209	FL 209	1.65
45	UKFL 210	197	157	22	16	40.0	115	19	50.0	55	M 16	UK 210	FL 210	1.92
50	UKFL 211	224	184	25	18	43.0	130	19	54.5	59	M 16	UK 211	FL 211	2.51
55	UKFL 212	250	202	29	18	48.0	140	23	61.0	62	M 20	UK 212	FL 212	3.26
60	UKFL 213	258	210	30	20	50.0	155	23	64.0	65	M 20	UK 213	FL 213	4.13