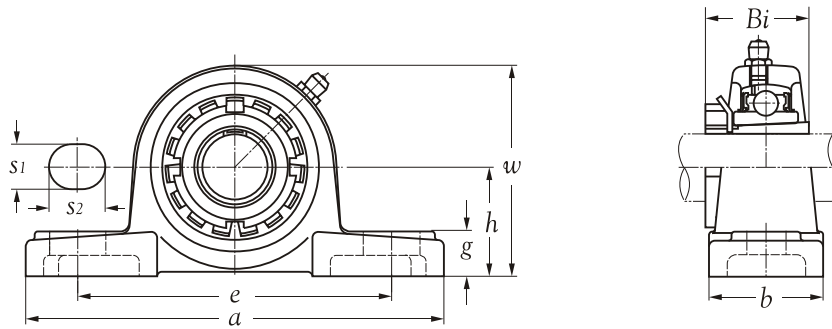


Technical Information



Shaft dia. mm	Unit number	Nominal dimensions mm									Bolt size mm	Bearing number	Housing number	Mass of unit Kg
		<i>h</i>	<i>a</i>	<i>e</i>	<i>b</i>	<i>s₁</i>	<i>s₂</i>	<i>g</i>	<i>w</i>	<i>Bi</i>				
20	UKP 205	36.5	140	105	36	13	19	15	71.0	35	M 10	UK 205	P 205	0.71
25	UKP 206	42.9	160	121	42	14	19	16	84.0	38	M 12	UK 206	P 206	1.15
30	UKP 207	47.6	167	127	45	15	19	17	94.0	43	M 12	UK 207	P 207	1.45
35	UKP 208	49.2	180	137	49	15	21	18	100.0	46	M 12	UK 208	P 208	1.72
40	UKP 209	54.0	189	146	50	15	21	20	107.5	50	M 12	UK 209	P 209	2.04
45	UKP 210	57.2	204	159	56	19	22	21	114.0	55	M 16	UK 210	P 210	2.52
50	UKP 211	63.5	217	172	58	19	22	22	126.0	59	M 16	UK 211	P 211	3.03
55	UKP 212	69.9	238	186	64	19	25	24	139.0	62	M 16	UK 212	P 212	4.25
60	UKP 213	76.2	262	203	70	23	29	26	149.0	65	M 20	UK 213	P 213	5.31