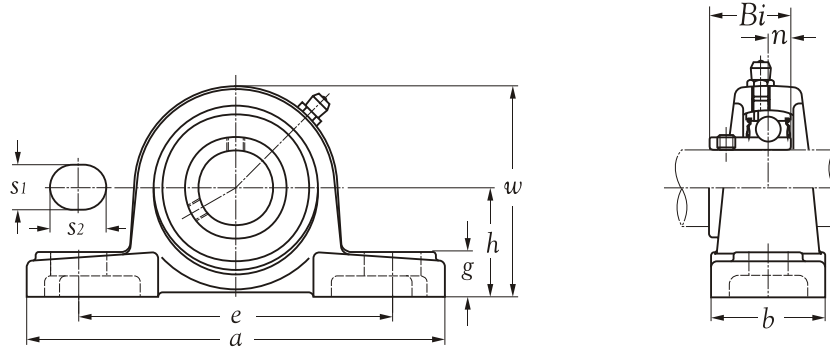




Technical Information



Shaft dia. mm inch	Unit number	Nominal dimensions										Bolt size mm inch	Bearing number	Housing number	Mass of unit Kg
		h	a	e	b	s ₁	s ₂	g	w	Bi	n				
20 3/4	SBP 204	33.3	127	96	35	13	16	14	65.0	25	7.0	M 10	SB 204	P 204	0.62
	SBP 204-12	1-5/16	5	3-25/32	1-3/8	3/64	5/8	35/64	2-9/16	0.9843	0.2756	3/8	SB 204-12		0.64
25 13/16 7/8 15/16 1	SBP 205	36.5	140	105	36	13	19	15	71.0	27	7.5	M 10	SB 205	P 205	0.73
	SBP 205-13												SB 205-13		0.76
	SBP 205-14												SB 205-14		0.75
	SBP 205-15												SB 205-15		0.74
SBP 205-16	SB 205-16	0.72													
30 1-1/16 1-1/8 1-3/16 1-1/4	SBP 206	42.9	160	121	42	14	19	16	84.0	29	8.0	M 12	SB 206	P 206	1.16
	SBP 206-17												SB 206-17		1.18
	SBP 206-18												SB 206-18		1.17
	SBP 206-19												SB 206-19		1.15
	SBP 206-20												SB 206-20		1.14
35 1-1/4 1-5/16 1-3/8 1-7/16	SBP 207	47.6	167	127	45	15	19	17	94.0	32	8.5	M 12	SB 207	P 207	1.46
	SBP 207-20												SB 207-20		1.51
	SBP 207-21												SB 207-21		1.50
	SBP 207-22												SB 207-22		1.49
	SBP 207-23												SB 207-23		1.45
40 1-1/2	SBP 208	49.2	180	137	49	15	21	18	100.0	34	9.5	M 12	SB 208	P 208	1.74
	SBP 208-24												SB 208-24		1.78