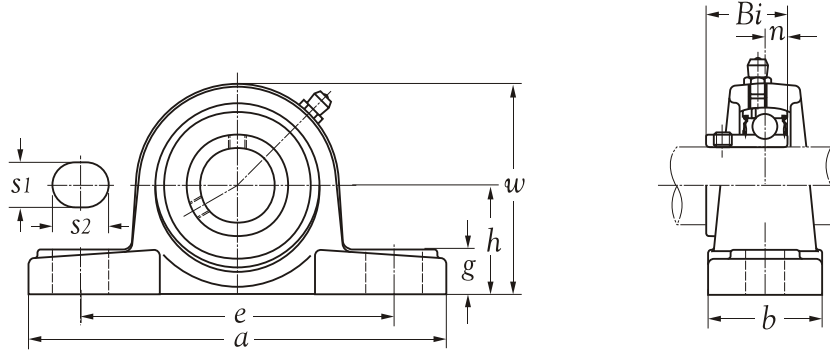




Technical Information



Shaft dia. mm inch	Unit number	Nominal dimensions										Bolt size mm inch	Bearing number	Housing number	Mass of unit Kg
		h	a	e	b	s ₁	s ₂	g	w	Bi	n				
20 3/4	SBAK 204	31.8	128	98	38	11	14	14	63.0	25	7.0	M 10	SB 204	AK 204	0.70
	SBAK 204-12	1-1/4	5-1/16	3-55/64	1-1/2	7/16	35/64	35/64	2-31/64	0.9843	0.2756	3/8	SB 204-12		0.72
25 13/16 7/8 15/16 1	SBAK 205	33.3	140	105	40	11	14	15	66.5	27	7.5	M 10	SB 205	AK 205	0.81
	SB 205-13												0.84		
	SB 205-14												0.83		
	SB 205-15												0.82		
SBAK 205-16	1-5/16	5-3/64	4-9/64	1-37/64	7/16	35/64	19/32	2-5/8	1.0630	0.2953	3/8	SB 205-16	0.80		
30 1-1/16 1-1/8 1-3/16 1-1/4	SBAK 206	39.7	160	121	44	14	19	17	79.0	29	8.0	M 12	SB 206	AK 206	1.18
	SB 206-17												1.20		
	SB 206-18												1.19		
	SB 206-19												1.17		
	SB 206-20												1.16		
SBAK 206-20	1-9/16	6-19/64	4-49/64	1-47/64	35/64	3/4	43/64	3-7/64	1.1417	0.3150	7/16	SB 206-20	1.16		
35 1-1/4 1-5/16 1-3/8 1-7/16	SBAK 207	46	167	127	48	14	19	18	91.0	32	8.5	M 12	SB 207	AK 207	1.61
	SB 207-20												1.66		
	SB 207-21												1.65		
	SB 207-22												1.64		
	SB 207-23												1.60		
SBAK 207-23	1-13/16	6-37/64	5	1-57/64	35/64	3/4	45/64	3-37/64	1.2598	0.3543	7/16	SB 207-23	1.60		
40 1-1/2	SBAK 208	49.2	181	140	52	14	19	19	98.0	34	9.5	M 12	SB 208	AK 208	1.99
	SB 208-24												1-15/16		7-1/8