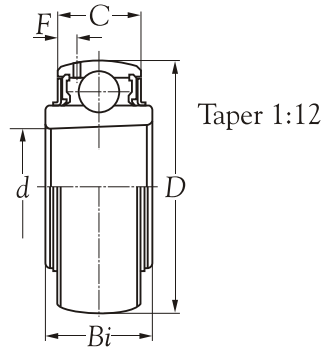




## Technical Information



Shaft dia. mm	Bearing number	Nominal dimensions mm					Basic load ratings N		Weight Kg
		<i>d</i>	<i>D</i>	<i>Bi</i>	<i>C</i>	<i>F</i>	dynamic <i>Cr</i>	static <i>Cor</i>	
20	UK 205	25	52	21	17	4.2	14,000	7,850	0.15
25	UK 206	30	62	25	19	4.5	19,500	11,300	0.25
30	UK 207	35	72	27	20	4.2	25,700	15,300	0.37
35	UK 208	40	80	29	21	4.2	29,100	17,800	0.48
40	UK 209	45	85	30	22	4.2	32,500	20,400	0.53
45	UK 210	50	90	31	23	5.0	35,000	23,200	0.59
50	UK 211	55	100	33	27	6.3	43,500	29,200	0.77
55	UK 212	60	110	36	27	5.3	52,500	36,000	1.03
60	UK 213	65	120	36	28	6.0	57,500	40,000	1.36