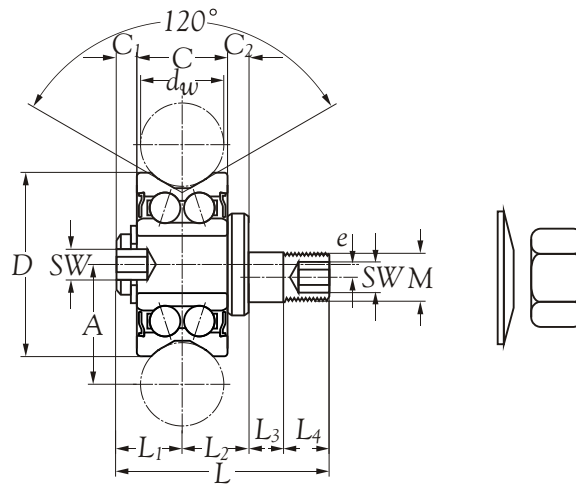




Technical Information



Roller designation with integral stud		Principal dimensions														Load ratings				Mass
concentric	eccentric	d_w	D	C	A	L	L_1	L_2	L_3	L_4	C_1	C_2	e	SW	M	C_w	C_{ow}	$F_{r perm}$	$F_{or perm}$	kg
		mm														N				
RV 22 C	RV 22 E	10	22	11	14.5	26	8.5	8	4	5.5	3	3.0	1.5	3	M6	2.45	1.62	2.35	4.15	0.028
RV 30 C	RV 30 E	10	30	14	18.1	33	9.5	9	6	8.0	2	2.5	1.5	4	M8	4.49	2.70	11.00	19.80	0.069
RV 38 C	RV 38 E	10	38	17	22.3	42	11.0	11	8	12.0	3	2.5	2.0	5	M10	7.29	4.55	10.20	17.90	0.145
RV 41 C	RV 41 E	20	41	20	28.0	47	15.0	13	6	13.0	3	5.0	2.0	6	M12	8.18	5.10	17.20	31.50	0.190
RV 58 C	RV 58 E	20	58	25	35.0	59	17.0	19	11	13.0	6	4.0	2.5	6	M16	16.58	9.20	47.00	86.00	0.460

* Track rollers with integral studs are supplied with split washer and nut.

* The unit contamination protection is provided by side shields **zz**.

