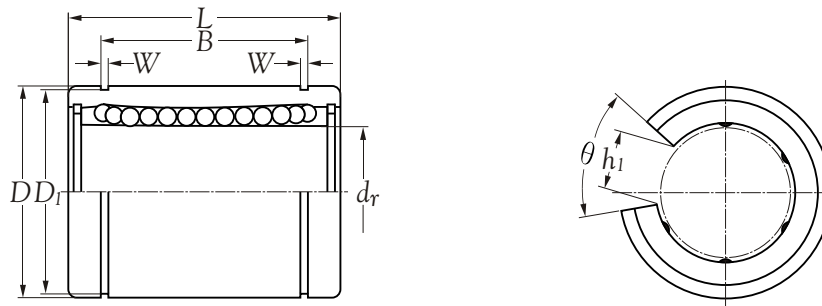


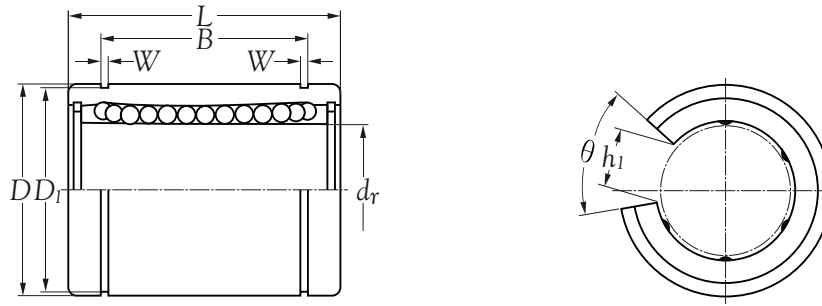


Technical Information



Nominal shaft diameter mm	Nominal part no.				Number of ball tracks	Dimensions					
	standard steel retainer	standard resin retainer	with seals steel retainer	with seals resin retainer		d_r		D		L	
						tolerance	tolerance	tolerance	tolerance	tolerance	tolerance
					mm	μm	mm	μm	mm		
12	LME 12A-OP	LME 12-OP	LME 12A-UU OP	LME 12-UU OP	4	12	$^{+8}_0$	22	$^0_{-9}$	32	$^0_{-0.2}$
16	LME 16A-OP	LME 16-OP	LME 16A-UU OP	LME 16-UU OP	5	16	$^{+9}_{-1}$	26	$^0_{-9}$	36	$^0_{-0.2}$
20	LME 20A-OP	LME 20-OP	LME 20A-UU OP	LME 20-UU OP	5	20	$^{+9}_{-1}$	32	$^0_{-11}$	45	$^0_{-0.2}$
25	LME 25A-OP	LME 25-OP	LME 25A-UU OP	LME 25-UU OP	6	25	$^{+11}_{-1}$	40	$^0_{-11}$	58	$^0_{-0.3}$
30	LME 30A-OP	LME 30-OP	LME 30A-UU OP	LME 30-UU OP	6	30	$^{+11}_{-1}$	47	$^0_{-11}$	68	$^0_{-0.3}$
40	LME 40A-OP	LME 40-OP	LME 40A-UU OP	LME 40-UU OP	6	40	$^{+13}_{-2}$	62	$^0_{-13}$	80	$^0_{-0.3}$
50	LME 50A-OP	LME 50-OP	LME 50A-UU OP	LME 50-UU OP	6	50	$^{+13}_{-2}$	75	$^0_{-13}$	100	$^0_{-0.4}$
60	LME 60A-OP	LME 60-OP	LME 60A-UU OP	LME 60-UU OP	6	60	$^{+13}_{-2}$	90	$^0_{-15}$	125	$^0_{-0.4}$





B tolerance	Dimensions				Roundness μm	Steel retainer maximum radial clearance μm	Resin retainer maximum radial clearance μm	Load ratings		Weight steel retainer g	Weight resin retainer g
	W	D_1	h_1	θ				dynamic C	static C_0		
22.9 $_{-0.2}^0$	1.30	21.0	7.5	78°	12	-4	-7	510	784	45	41
24.9 $_{-0.2}^0$	1.30	24.9	10.0	78°	12	-4	-7	578	892	60	65
31.5 $_{-0.2}^0$	1.60	30.3	10.0	60°	15	-6	-9	862	1370	102	91
44.1 $_{-0.3}^0$	1.85	37.5	12.5	60°	15	-6	-9	980	1570	235	215
52.1 $_{-0.3}^0$	1.85	44.5	12.5	50°	15	-8	-9	1570	2740	360	325
60.6 $_{-0.3}^0$	2.15	59.0	16.8	50°	17	-8	-13	2160	4020	770	705
77.6 $_{-0.4}^0$	2.65	72.0	21.0	50°	17	-13	-13	3820	7940	1250	1130
101.7 $_{-0.4}^0$	3.15	86.5	27.2	54°	20	-13	-16	4700	9800	2220	2220

