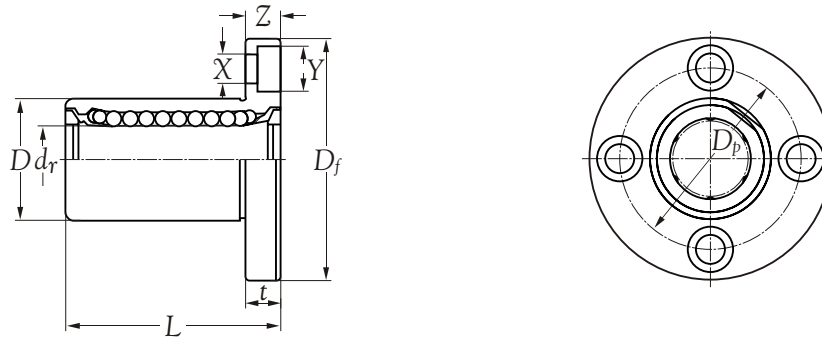


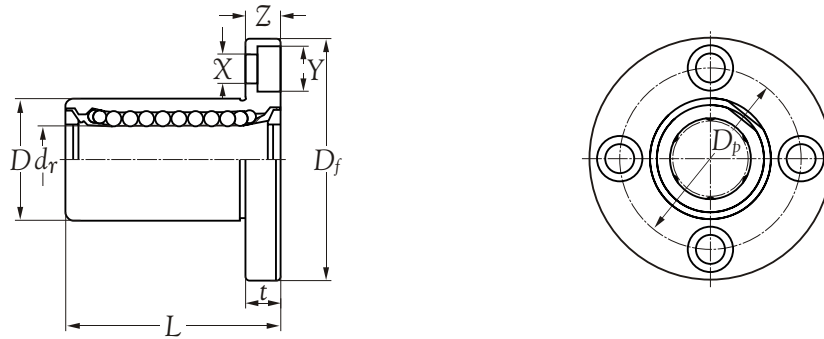


Technical Information



Nominal shaft diameter mm	Nominal part no.		Number of ball tracks	Dimensions					
	standard resin retainer	with seals resin retainer		d_r		L			
				tolerance	tolerance		tolerance		
			mm	μm	mm	μm	mm		
8	LME F 8	LME F 8 UU	4	8	$^{+8}_0$	16	$^0_{-13}$	25	± 0.3
12	LME F 12	LME F 12 UU	4	12	$^{+8}_0$	22	$^0_{-16}$	32	± 0.3
16	LME F 16	LME F 16 UU	5	16	$^{+9}_{-1}$	26	$^0_{-16}$	36	± 0.3
20	LME F 20	LME F 20 UU	5	20	$^{+9}_{-1}$	32	$^0_{-19}$	45	± 0.3
25	LME F 25	LME F 25 UU	6	25	$^{+11}_{-1}$	40	$^0_{-19}$	58	± 0.3
30	LME F 30	LME F 30 UU	6	30	$^{+11}_{-1}$	47	$^0_{-19}$	68	± 0.3
40	LME F 40	LME F 40 UU	6	40	$^{+13}_{-2}$	62	$^0_{-22}$	80	± 0.3
50	LME F 50	LME F 50 UU	6	50	$^{+13}_{-2}$	75	$^0_{-22}$	100	± 0.3
60	LME F 60	LME F 60 UU	6	60	$^{+13}_{-2}$	90	$^0_{-25}$	125	± 0.3





D_f	Dimensions flange			Roundness μm	Squareness μm	Load ratings		Weight g
	t mm	D_p	$X \times Y \times Z$			dynamic C N	static C_0	
32	5	24	3.5 x 6.0 x 3.1	12	12	265	402	41
42	6	32	4.5 x 7.5 x 4.1	12	12	510	784	80
46	6	36	4.5 x 7.5 x 4.1	12	12	578	892	103
54	8	43	5.5 x 9.0 x 5.1	15	15	862	1370	182
62	8	51	5.5 x 9.0 x 5.1	15	15	980	1570	335
76	10	62	6.6 x 11 x 6.1	15	15	1570	2740	560
98	13	80	9.0 x 14 x 8.1	17	17	2160	4020	1175
112	13	94	9.0 x 14 x 8.1	17	17	3820	7940	1745
134	18	112	11.0 x 17 x 11.1	20	20	4700	9800	3220

