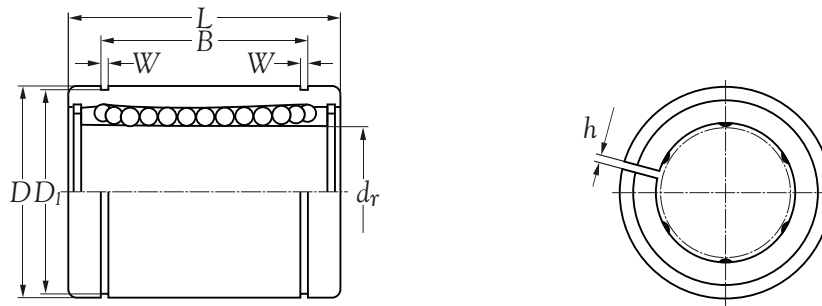


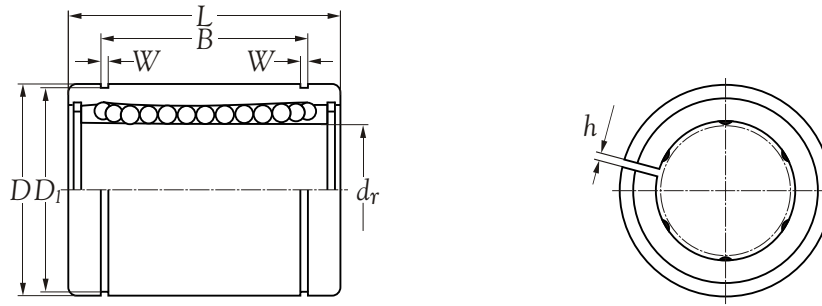


Technical Information



Nominal shaft diameter mm	Nominal part no.				Number of ball tracks	Dimensions					
	standard steel retainer	standard resin retainer	with seals steel retainer	with seals resin retainer		$d_r$	$D$		$L$		
	tolerance		tolerance			mm	$\mu\text{m}$	mm	tolerance		
5	-	LME 5-AJ	-	LME 5 UU-AJ	3	5	$\begin{smallmatrix} +8 \\ 0 \end{smallmatrix}$	12	$\begin{smallmatrix} 0 \\ -8 \end{smallmatrix}$	22	$\begin{smallmatrix} 0 \\ -0.2 \end{smallmatrix}$
8	-	LME 8-AJ	-	LME 8 UU-AJ	4	8	$\begin{smallmatrix} +8 \\ 0 \end{smallmatrix}$	16	$\begin{smallmatrix} 0 \\ -8 \end{smallmatrix}$	25	$\begin{smallmatrix} 0 \\ -0.2 \end{smallmatrix}$
12	LME 12A-AJ	LME 12-AJ	LME 12A UU-AJ	LME 12 UU-AJ	4	12	$\begin{smallmatrix} +8 \\ 0 \end{smallmatrix}$	22	$\begin{smallmatrix} 0 \\ -9 \end{smallmatrix}$	32	$\begin{smallmatrix} 0 \\ -0.2 \end{smallmatrix}$
16	LME 16A-AJ	LME 16-AJ	LME 16A UU-AJ	LME 16 UU-AJ	5	16	$\begin{smallmatrix} +9 \\ -1 \end{smallmatrix}$	26	$\begin{smallmatrix} 0 \\ -9 \end{smallmatrix}$	36	$\begin{smallmatrix} 0 \\ -0.2 \end{smallmatrix}$
20	LME 20A-AJ	LME 20-AJ	LME 20A UU-AJ	LME 20 UU-AJ	5	20	$\begin{smallmatrix} +9 \\ -1 \end{smallmatrix}$	32	$\begin{smallmatrix} 0 \\ -11 \end{smallmatrix}$	45	$\begin{smallmatrix} 0 \\ -0.2 \end{smallmatrix}$
25	LME 25A-AJ	LME 25-AJ	LME 25A UU-AJ	LME 25 UU-AJ	6	25	$\begin{smallmatrix} +11 \\ -1 \end{smallmatrix}$	40	$\begin{smallmatrix} 0 \\ -11 \end{smallmatrix}$	58	$\begin{smallmatrix} 0 \\ -0.3 \end{smallmatrix}$
30	LME 30A-AJ	LME 30-AJ	LME 30A UU-AJ	LME 30 UU-AJ	6	30	$\begin{smallmatrix} +11 \\ -1 \end{smallmatrix}$	47	$\begin{smallmatrix} 0 \\ -11 \end{smallmatrix}$	68	$\begin{smallmatrix} 0 \\ -0.3 \end{smallmatrix}$
40	LME 40A-AJ	LME 40-AJ	LME 40A UU-AJ	LME 40 UU-AJ	6	40	$\begin{smallmatrix} +13 \\ -2 \end{smallmatrix}$	62	$\begin{smallmatrix} 0 \\ -13 \end{smallmatrix}$	80	$\begin{smallmatrix} 0 \\ -0.3 \end{smallmatrix}$
50	LME 50A-AJ	LME 50-AJ	LME 50A UU-AJ	LME 50 UU-AJ	6	50	$\begin{smallmatrix} +13 \\ -2 \end{smallmatrix}$	75	$\begin{smallmatrix} 0 \\ -13 \end{smallmatrix}$	100	$\begin{smallmatrix} 0 \\ -0.3 \end{smallmatrix}$
60	LME 60A-AJ	LME 60-AJ	LME 60A UU-AJ	LME 60 UU-AJ	6	60	$\begin{smallmatrix} +13 \\ -2 \end{smallmatrix}$	90	$\begin{smallmatrix} 0 \\ -15 \end{smallmatrix}$	125	$\begin{smallmatrix} 0 \\ -0.4 \end{smallmatrix}$





B	tolerance	Dimensions			Roundness	Steel retainer maximum radial clearance μm	Resin retainer maximum radial clearance μm	Load ratings		Weight steel retainer g	Weight resin retainer g
		W	D <sub>1</sub>	h				dynamic C	static C <sub>0</sub>		
		mm			μm			N			
14.5	<sup>0</sup> / <sub>-0.2</sub>	1.10	11.5	1.0	12	-	-5	206	265	11	-
16.5	<sup>0</sup> / <sub>-0.2</sub>	1.10	15.2	1.0	12	-3	-5	265	402	20	22
22.9	<sup>0</sup> / <sub>-0.2</sub>	1.30	21.0	1.5	12	-4	-7	510	784	41	45
24.9	<sup>0</sup> / <sub>-0.2</sub>	1.30	24.9	1.5	12	-4	-7	578	892	65	60
31.5	<sup>0</sup> / <sub>-0.2</sub>	1.60	30.3	2.0	15	-6	-9	862	1370	91	102
44.1	<sup>0</sup> / <sub>-0.3</sub>	1.85	37.5	2.0	15	-6	-9	980	1570	215	235
52.1	<sup>0</sup> / <sub>-0.3</sub>	1.85	44.5	2.0	15	-8	-9	1570	2740	325	360
60.6	<sup>0</sup> / <sub>-0.3</sub>	2.15	59.0	3.0	17	-8	-13	2160	4020	705	770
77.6	<sup>0</sup> / <sub>-0.3</sub>	2.65	72.0	3.0	17	-13	-13	3820	7940	1130	1250
101.7	<sup>0</sup> / <sub>-0.4</sub>	3.15	86.5	3.0	20	-13	-16	4700	9800	2220	2220

