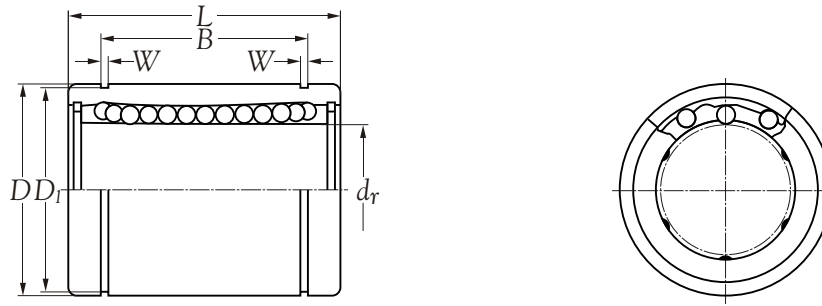


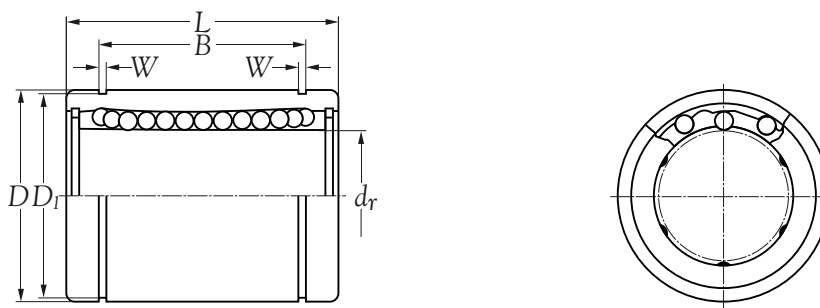


Technical Information



Nominal shaft diameter mm	Nominal part no.				Number of ball tracks	Dimensions					
	standard steel retainer	standard resin retainer	with seals steel retainer	with seals resin retainer		d_r tolerance		D tolerance		L tolerance	
						mm	μm	mm	μm	mm	
5	-	LME 5	-	LME 5 UU	3	5	$^{+8}_0$	12	$^0_{-8}$	22	$^0_{-0.2}$
8	LME 8A	LME 8	LME 8A UU	LME 8 UU	4	8	$^{+8}_0$	16	$^0_{-8}$	25	$^0_{-0.2}$
10	LME 10A	-	LME 10A UU	-	4	10	$^{+8}_0$	19	$^0_{-9}$	29	$^0_{-0.2}$
12	LME 12A	LME 12	LME 12A UU	LME 12 UU	4	12	$^{+8}_0$	22	$^0_{-9}$	32	$^0_{-0.2}$
16	LME 16A	LME 16	LME 16A UU	LME 16 UU	5	16	$^{+9}_{-1}$	26	$^0_{-9}$	36	$^0_{-0.2}$
20	LME 20A	LME 20	LME 20A UU	LME 20 UU	5	20	$^{+9}_{-1}$	32	$^0_{-11}$	45	$^0_{-0.2}$
25	LME 25A	LME 25	LME 25A UU	LME 25 UU	6	25	$^{+11}_{-1}$	40	$^0_{-11}$	58	$^0_{-0.3}$
30	LME 30A	LME 30	LME 30A UU	LME 30 UU	6	30	$^{+11}_{-1}$	47	$^0_{-11}$	68	$^0_{-0.3}$
40	LME 40A	LME 40	LME 40A UU	LME 40 UU	6	40	$^{+13}_{-2}$	62	$^0_{-13}$	80	$^0_{-0.3}$
50	LME 50A	LME 50	LME 50A UU	LME 50 UU	6	50	$^{+13}_{-2}$	75	$^0_{-13}$	100	$^0_{-0.3}$
60	LME 60A	LME 60	LME 60A UU	LME 60 UU	6	60	$^{+13}_{-2}$	90	$^0_{-15}$	125	$^0_{-0.4}$





B tolerance	Dimensions		Roundness μm	Steel retainer maximum radial clearance μm	Resin retainer maximum radial clearance μm	Load ratings		Weight steel retainer g	Weight resin retainer g
	W mm	D_1				dynamic C N	static C_0		
14.5 $^{0}_{-0.2}$	1.10	11.5	12	-	-5	206	265	-	11
16.5 $^{0}_{-0.2}$	1.10	15.2	12	-3	-5	265	402	22	20
22.0 $^{0}_{-0.2}$	1.30	18.0	12	-4	-	372	549	36	-
22.9 $^{0}_{-0.2}$	1.30	21.0	12	-4	-7	510	784	45	41
24.9 $^{0}_{-0.2}$	1.30	24.9	12	-4	-7	578	892	60	65
31.5 $^{0}_{-0.2}$	1.60	30.3	15	-6	-9	862	1370	102	91
44.1 $^{0}_{-0.3}$	1.85	37.5	15	-6	-9	980	1570	235	215
52.1 $^{0}_{-0.3}$	1.85	44.5	15	-8	-9	1570	2740	360	325
60.6 $^{0}_{-0.3}$	2.15	59.0	17	-8	-13	2160	4020	770	705
77.6 $^{0}_{-0.3}$	2.65	72.0	17	-13	-13	3820	7940	1250	1130
101.7 $^{0}_{-0.4}$	3.15	86.5	20	-13	-16	4700	9800	2220	2220

