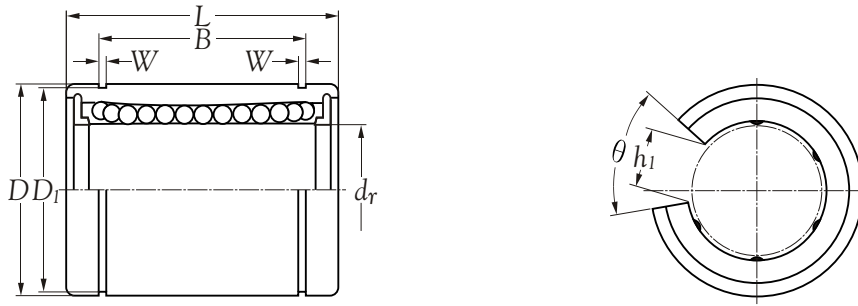


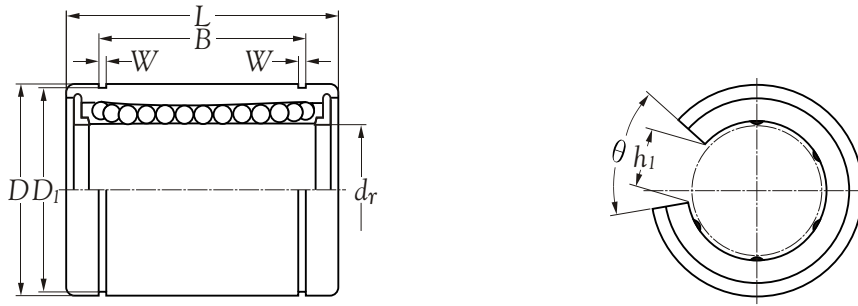


### Technical Information



Nominal shaft diameter Inch/mm	Nominal part no.				Number of ball tracks	Dimensions						
	standard steel retainer	standard resin retainer	with seals steel retainer	with seals resin retainer		$d_r$		$D$		$L$		
						tolerance	tolerance	tolerance	tolerance	tolerance	tolerance	
				Inch/mm	Inch/ $\mu$ m	Inch/mm	Inch/ $\mu$ m	Inch/mm	Inch/mm			
1/2 12.700	LMB 8A-OP	LMB 8-OP	LMB 8A-UU OP	LMB 8-UU OP	4	0.500 12.700	0/-0.00025 0/-6	0/-0.0004 0/-9	0.8750 22.2250	0/-0.00050 0/-13	1.250 31.750	0/-0.008 0/-0.2
5/8 15.875	LMB 10A-OP	LMB 10-OP	LMB 10A-UU OP	LMB 10-UU OP	4	0.625 15.875	0/-0.00025 0/-6	0/-0.0004 0/-9	1.1250 28.5750	0/-0.00050 0/-13	1.500 38.100	0/-0.008 0/-0.2
3/4 19.050	LMB 12A-OP	LMB 12-OP	LMB 12A-UU OP	LMB 12-UU OP	5	0.750 19.050	0/-0.0003 0/-7	0/-0.0004 0/-10	1.2500 31.7500	0/-0.00065 0/-16	1.625 41.275	0/-0.008 0/-0.2
1 25.400	LMB 16A-OP	LMB 16-OP	LMB 16A-UU OP	LMB 16-UU OP	6	1.000 25.400	0/-0.0003 0/-7	0/-0.0004 0/-10	1.5625 39.6880	0/-0.00065 0/-16	2.250 57.150	0/-0.012 0/-0.3
1-1/4 31.750	LMB 20A-OP	LMB 20-OP	LMB 20A-UU OP	LMB 20-UU OP	6	1.250 31.750	0/-0.00035 0/-9	0/-0.0005 0/-12	2.0000 50.8000	0/-0.00075 0/-19	2.625 66.675	0/-0.012 0/-0.3
1-1/2 38.100	LMB 24A-OP	LMB 24-OP	LMB 24A-UU OP	LMB 24-UU OP	6	1.500 38.100	0/-0.00035 0/-9	0/-0.0005 0/-12	2.3750 60.3250	0/-0.00075 0/-19	3.000 76.200	0/-0.012 0/-0.3
2 50.800	LMB 32A-OP	LMB 32-OP	LMB 32A-UU OP	LMB 32-UU OP	6	2.000 50.800	0/-0.00035 0/-9	0/-0.0005 0/-12	3.0000 76.2000	0/-0.00090 0/-22	4.000 101.600	0/-0.012 0/-0.3





B tolerance	Dimensions					Roundness Inch/ $\mu$ m	Steel retainer maximum radial clearance Inch/ $\mu$ m	Resin retainer maximum radial clearance Inch/ $\mu$ m	Load ratings		Weight steel retainer g	Weight resin retainer g
	W	D <sub>1</sub>	h	$\theta$	C				C <sub>0</sub>			
	Inch/mm								N			
0.9625 24.4600	0/0.008 0/0.2	0.0459 1.1680	0.8209 20.8530	0.3400 7.9375	80° 80°	0.0003 8 0.0005 12	-0.001 -4	-0.001 -4	510	784	42	37
1.1039 28.0400	0/0.008 0/0.2	0.0559 1.4220	1.0590 26.8990	0.3750 9.5250	80° 80°	0.0003 8 0.0005 12	-0.001 -4	-0.001 -4	774	1180	85	76
1.1657 29.6100	0/0.008 0/0.2	0.0599 1.4220	1.1760 29.8700	0.4375 11.1125	60° 60°	0.0004 10 0.0006 15	-0.002 -6	-0.002 -6	862	1370	104	95
1.7547 44.5700	0/0.012 0/0.3	0.0679 1.7270	1.4887 37.3060	0.5625 14.2875	50° 50°	0.0004 10 0.0006 15	-0.002 -6	-0.002 -6	980	1570	220	200
2.0047 50.9200	0/0.012 0/0.3	0.0679 1.7270	1.8859 47.9040	0.6250 15.8750	50° 50°	0.0005 12 0.0008 20	-0.003 -8	-0.003 -8	1570	2740	465	440
2.4118 61.2600	0/0.012 0/0.3	0.0859 2.1840	2.2389 56.8700	0.7500 19.0500	50° 50°	0.0005 12 0.0008 20	-0.003 -8	-0.003 -8	2180	4020	720	670
3.1917 81.0700	0/0.012 0/0.3	0.1029 2.6160	2.8379 72.0850	1.0000 2.5400	50° 50°	0.0007 17 0.0010 25	-0.005 -13	-0.005 -13	3820	7940	1310	1140

