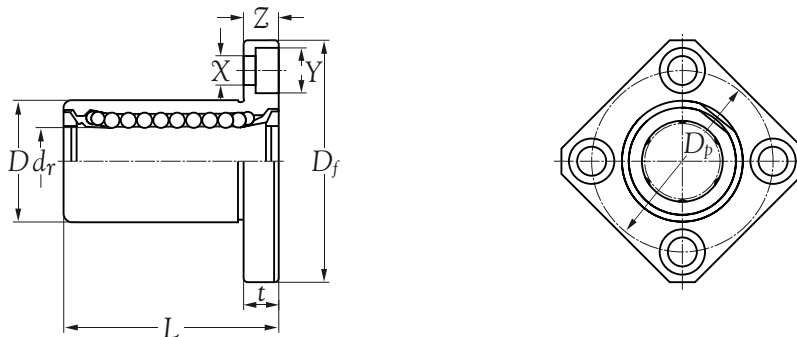


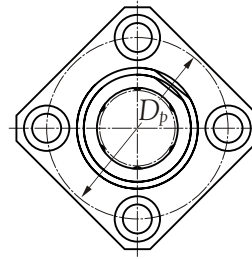
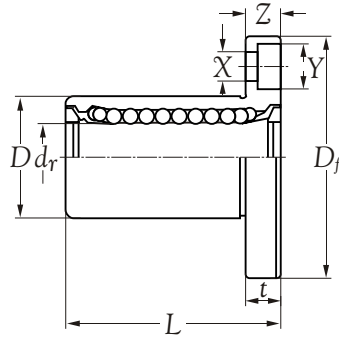


Technical Information



Nominal shaft diameter Inch/mm	Nominal Part No.		Number of ball tracks	Dimensions					
	standard resin retainer	with seals resin retainer		d_r		D		L	
				tolerance	tolerance	tolerance	tolerance	tolerance	tolerance
			Inch/mm	Inch/ μ m	Inch/mm	Inch/ μ m	Inch/mm	Inch/mm	
1/4 6.350	LMB K 4	LMB K 4 UU	4	0.250 6.350	0/-0.0004 0/-9	0.5000 12.7000	0/-0.00050 0/-13	0.750 19.050	+0.012 \pm 0.3
3/8 9.525	LMB K 6	LMB K 6 UU	4	0.375 9.525	0/-0.0004 0/-9	0.6250 15.8750	0/-0.00065 0/-16	0.875 22.225	+0.012 \pm 0.3
1/2 12.700	LMB K 8	LMB K 8 UU	4	0.500 12.700	0/-0.0004 0/-9	0.8750 22.2250	0/-0.00085 0/-16	1.250 31.750	+0.012 \pm 0.3
5/8 15.875	LMB K 10	LMB K 10 UU	4	0.625 15.875	0/-0.0004 0/-9	1.1250 28.5750	0/-0.00085 0/-16	1.500 38.100	+0.012 \pm 0.3
3/4 19.050	LMB K 12	LMB K 12 UU	4	0.750 19.050	0/-0.0004 0/-1	1.2500 31.7500	0/-0.00075 0/-19	1.625 41.275	+0.012 \pm 0.3
1 25.400	LMB K 16	LMB K 16 UU	5	1.000 25.400	0/-0.0004 0/-1	1.5625 39.8880	0/-0.00075 0/-19	2.250 57.150	+0.012 \pm 0.3
1-1/4 31.750	LMB K 20	LMB K 20 UU	5	1.250 31.750	0/-0.0005 0/-12	2.0000 50.8000	0/-0.00090 0/-22	2.625 66.675	+0.012 \pm 0.3
1-1/2 38.100	LMB K 24	LMB K 24 UU	6	1.500 38.100	0/-0.0005 0/-12	2.3750 60.3250	0/-0.00090 0/-22	3.000 76.200	+0.012 \pm 0.3
2 50.800	LMB K 32	LMB K 32 UU	6	2.000 50.800	0/-0.0005 0/-12	3.0000 76.2000	0/-0.00100 0/-25	4.000 101.600	+0.012 \pm 0.3
2-1/2 63.500	LMB K 40	LMB K 40 UU	6	2.500 63.500	0/-0.0006 0/-15	3.7500 95.2500	0/-0.00100 0/-25	5.000 127.000	+0.012 \pm 0.3
3 76.200	LMB K 48	LMB K 48 UU	6	3.000 76.200	0/-0.0006 0/-15	4.5000 114.3000	0/-0.00100 0/-25	6.000 152.400	+0.012 \pm 0.3
4 101.600	LMB K 64	LMB K 64 UU	6	4.000 101.600	0/-0.0008 0/-20	6.0000 152.4000	0/-0.00115 0/-29	8.000 203.200	+0.012 \pm 0.3





D_f	Dimensions flange		$X \times Y \times Z$	Roundness	Squareness	Load ratings		Weight
	t	D_p				dynamic C	static C_0	
	Inch/mm			Inch/ μ m	Inch/ μ m	N		g
1.2500 31.7500	0.2190 5.5660	0.8750 22.2250	0.1580 x 0.2500 x 0.1410 3.9690 x 6.3500 x 3.5720	0.0005 12	0.0005 12	206	265	32
1.5000 38.1000	0.2500 6.3500	1.0620 26.9880	0.1875 x 0.2970 x 0.1720 4.7630 x 7.5410 x 4.3680	0.0005 12	0.0005 12	225	314	47
1.7500 44.4500	0.2500 6.3500	1.3120 33.3380	0.1875 x 0.2970 x 0.1720 4.7630 x 7.5410 x 4.3680	0.0005 12	0.0005 12	510	784	88
2.0000 50.8000	0.2500 6.3500	1.5620 39.6888	0.1875 x 0.2970 x 0.1720 4.7630 x 7.5410 x 4.3680	0.0006 15	0.0006 15	774	1180	140
2.1875 55.5630	0.3125 7.9380	1.7180 43.6800	0.2187 x 0.3440 x 0.2030 5.5580 x 8.7310 x 5.1590	0.0006 15	0.0006 15	862	1370	190
2.5000 63.5000	0.3125 7.9380	2.0310 51.5940	0.2187 x 0.3440 x 0.2030 5.5580 x 8.7310 x 5.1590	0.0006 15	0.0006 15	980	1570	325
3.1250 79.3750	0.3750 9.5250	2.5625 65.0880	0.2812 x 0.4060 x 0.2696 7.1440 x 10.319 x 6.7470	0.0008 20	0.0008 20	1570	2740	665
3.7500 95.2500	0.5000 12.7000	3.0625 77.7880	0.3440 x 0.5000 x 0.3280 8.7310 x 12.700 x 8.3340	0.0010 25	0.0010 25	2180	4020	1100
4.3750 111.1250	0.5000 12.7000	3.6875 93.6620	0.3440 x 0.5000 x 0.3280 8.7310 x 12.700 x 8.3340	0.0010 25	0.0010 25	3820	7940	1760
5.3750 136.5250	0.7500 19.0500	4.5625 115.8870	0.4062 x 0.6250 x 0.3750 10.319 x 15.875 x 9.5250	0.0010 25	0.0010 25	4700	10000	3570
6.1250 155.5750	0.7500 19.0500	5.3125 134.9370	0.4062 x 0.6250 x 0.3750 10.319 x 15.875 x 9.5250	0.0010 25	0.0010 25	7350	16000	5600
8.0000 203.2000	0.8750 22.2250	7.0000 177.8000	0.5000 x 0.7125 x 0.5000 12.700 x 18.097 x 12.700	0.0012 30	0.0012 30	14100	34800	12000

