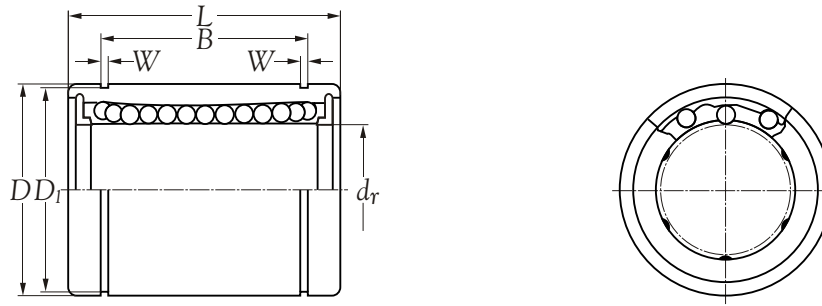


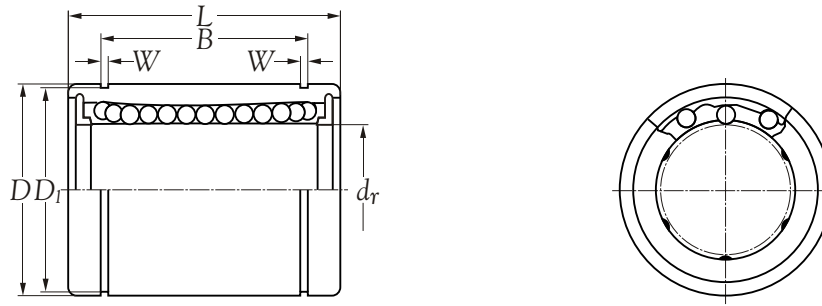


Technical Information



Nominal shaft diameter Inch/mm	Nominal part no.				Number of ball tracks	Dimensions						
	standard steel retainer	standard resin retainer	with seals steel retainer	with seals resin retainer		$d_r$		$D$		$L$		
						tolerance	tolerance	tolerance	tolerance	tolerance		
				Inch/mm	Inch/ $\mu$ m	Inch/mm	Inch/ $\mu$ m	Inch/mm				
1/4 6.350	-	LMB 4	-	LMB 4 UU	4	0.250 6.350	0/-0.00025 0/-6	0/-0.0004 0/-9	0.5000 12.7000	0/-0.00045 0/-11	0.750 19.050	0/-0.008 0/-0.2
3/8 9.525	LMB 6A	LMB 6	LMB 6A UU	LMB 6 UU	4	0.375 9.525	0/-0.00025 0/-6	0/-0.0004 0/-9	0.6250 15.8750	0/-0.00050 0/-13	0.875 22.225	0/-0.008 0/-0.2
1/2 12.700	LMB 8A	LMB 8	LMB 8A UU	LMB 8 UU	4	0.500 12.700	0/-0.00025 0/-6	0/-0.0004 0/-9	0.8750 22.2250	0/-0.00050 0/-13	1.250 31.750	0/-0.008 0/-0.2
5/8 15.875	LMB 10A	LMB 10	LMB 10A UU	LMB 10 UU	4	0.625 15.875	0/-0.00025 0/-6	0/-0.0004 0/-9	1.1250 28.5750	0/-0.00050 0/-13	1.500 38.100	0/-0.008 0/-0.2
3/4 19.050	LMB 12A	LMB 12	LMB 12A UU	LMB 12 UU	5	0.750 19.050	0/-0.0003 0/-7	0/-0.0004 0/-10	1.2500 31.7500	0/-0.00065 0/-16	1.625 41.275	0/-0.008 0/-0.2
1 25.400	LMB 16A	LMB 16	LMB 16A UU	LMB 16 UU	6	1.000 25.400	0/-0.0003 0/-7	0/-0.0004 0/-10	1.5625 39.6880	0/-0.00065 0/-16	2.250 57.150	0/-0.012 0/-0.3
1-1/4 31.750	LMB 20A	LMB 20	LMB 20A UU	LMB 20 UU	6	1.250 31.750	0/-0.00035 0/-8	0/-0.0005 0/-12	2.0000 50.8000	0/-0.00075 0/-19	2.625 66.675	0/-0.012 0/-0.3
1-1/2 38.100	LMB 24A	LMB 24	LMB 24A UU	LMB 24 UU	6	1.500 38.100	0/-0.00035 0/-8	0/-0.0005 0/-12	2.3750 60.3250	0/-0.00075 0/-19	3.000 76.200	0/-0.012 0/-0.3
2 50.800	LMB 32A	LMB 32	LMB 32A UU	LMB 32 UU	6	2.000 50.800	0/-0.00035 0/-8	0/-0.0005 0/-12	3.0000 76.2000	0/-0.00090 0/-22	4.000 101.600	0/-0.012 0/-0.3





B	Dimensions		Roundness	Steel retainer maximum radial clearance	Resin retainer maximum radial clearance	Load ratings		Weight steel retainer	Weight resin retainer	
	tolerance	W				D <sub>1</sub>	C			C <sub>0</sub>
	Inch/mm	Inch/mm	Inch/μm	Inch/μm	Inch/μm	N	N	g	g	
0.5110 12.9800	0/-0.008 0/-0.2	0.0390 0.9920	0.4887 11.9060	0.0003 8	0.0005 12	-	206	265	-	8
0.6358 16.1500	0/-0.008 0/-0.2	0.0390 0.9920	0.5880 14.9350	0.0003 8	0.0005 12	-0.0001 -3	225	314	15	14
0.9625 24.4600	0/-0.008 0/-0.2	0.0459 1.1680	0.8209 20.8530	0.0003 8	0.0005 12	-0.0001 -4	510	784	42	37
1.1039 28.0400	0/-0.008 0/-0.2	0.0559 1.4220	1.0590 26.8990	0.0003 8	0.0005 12	-0.0001 -4	774	1180	85	76
1.1657 29.6100	0/-0.008 0/-0.2	0.0589 1.4220	1.1760 29.8700	0.0004 10	0.0006 15	-0.0002 -6	862	1370	104	95
1.7547 44.5700	0/-0.012 0/-0.3	0.0679 1.7270	1.4687 37.3060	0.0004 10	0.0006 15	-0.0002 -6	980	1570	220	200
2.0047 50.9200	0/-0.012 0/-0.3	0.0679 1.7270	1.8859 47.9040	0.0005 12	0.0008 20	-0.0003 -8	1570	2740	465	440
2.4118 61.2600	0/-0.012 0/-0.3	0.0859 2.1840	2.2389 56.8700	0.0005 12	0.0008 20	-0.0003 -8	2180	4020	720	670
3.1917 81.0700	0/-0.012 0/-0.3	0.1029 2.6160	2.8379 72.0850	0.0007 17	0.0010 25	-0.0005 -13	3820	7940	1310	1140

