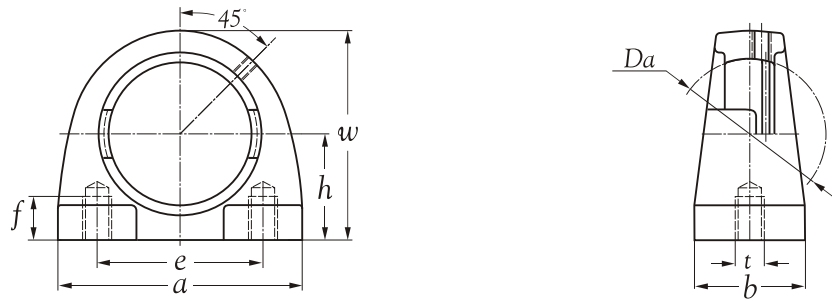




Technical Information



Inner bore <i>Da</i> mm	Housing number	Nominal dimensions mm							Available Bearing No.	Mass Kg
		<i>h</i>	<i>a</i>	<i>e</i>	<i>b</i>	<i>w</i>	<i>t</i>	<i>f</i>		
47	SS PA 204	33.3	73	50.8	38	65	3/8"-16	13	SS UC 204	0.52
52	SS PA 205	36.5	76	50.8	38	70	3/8"-16	13	SS UC 205	0.65
62	SS PA 206	42.9	102	76.2	38	86	7/16"-14	16	SS UC 206	0.78
72	SS PA 207	47.6	108	82.6	48	95	1/2"-13	19	SS UC 207	0.95
80	SS PA 208	49.2	117	88.9	48	100	1/2"-13	19	SS UC 208	1.16
85	SS PA 209	54.0	127	95.3	51	108	1/2"-13	19	SS UC 209	1.82
90	SS PA 210	57.2	140	102.0	51	117	5/8"-11	22	SS UC 210	2.30