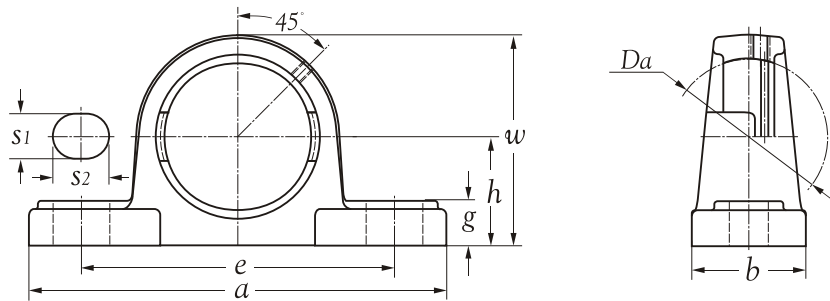




Technical Information



Inner bore D_a mm	Housing number	Nominal dimensions mm								Available Bearing No.	Mass kg
		h	a	e	b	s_1	s_2	g	w		
47	SS P 204	33.3	126	95.0	38	11.0	18	15.1	65.1	SS UC 204	0.69
52	SS P 205	36.5	141	105.0	38	13.0	18	16.0	70.0	SS UC 205	0.74
62	SS P 206	42.9	165	121.0	48	14.5	21	18.0	83.0	SS UC 206	1.29
72	SS P 207	47.6	167	127.0	48	14.5	22	19.0	94.0	SS UC 207	1.42
80	SS P 208	49.2	184	136.5	54	14.5	22	19.0	100.0	SS UC 208	1.82
85	SS P 209	54.0	191	146.0	54	15.0	21	20.0	109.0	SS UC 209	2.09
90	SS P 210	57.2	206	159.0	60	18.0	24	22.0	114.0	SS UC 210	2.38
100	SS P 211	63.5	219	171.0	60	20.0	25	23.0	126.0	SS UC 211	2.96
110	SS P 212	69.8	241	184.0	70	20.0	25	25.0	138.0	SS UC 212	4.36