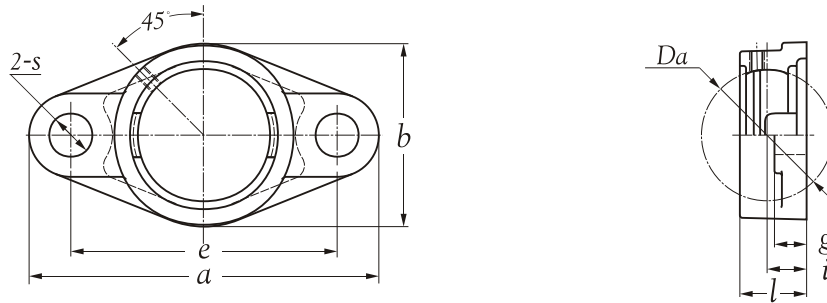




Technical Information



Inner bore <i>Da</i> mm	Housing number	Nominal dimensions mm							Available Bearing No.	Mass kg
		<i>a</i>	<i>e</i>	<i>i</i>	<i>b</i>	<i>l</i>	<i>g</i>	<i>s</i>		
47	SS FL 204	112	90.0	15.1	60	25.4	11.5	10	SS UC 204	0.32
52	SS FL 205	125	99.0	15.9	68	27.0	13.0	12	SS UC 205	0.44
62	SS FL 206	141	117.0	17.9	80	30.0	13.0	12	SS UC 206	0.58
72	SS FL 207	156	130.2	19.1	90	33.0	14.3	13	SS UC 207	0.74
80	SS FL 208	170	144.0	21.0	100	36.0	14.3	13	SS UC 208	0.99
85	SS FL 209	180	148.4	21.8	108	38.0	14.3	15	SS UC 209	1.16
90	SS FL 210	190	157.2	21.8	115	39.0	15.1	15	SS UC 210	1.36
100	SS FL 211	224	184.0	25.0	130	43.0	18.0	19	SS UC 211	2.64
110	SS FL 212	250	202.0	29.0	140	48.0	18.0	23	SS UC 212	3.20