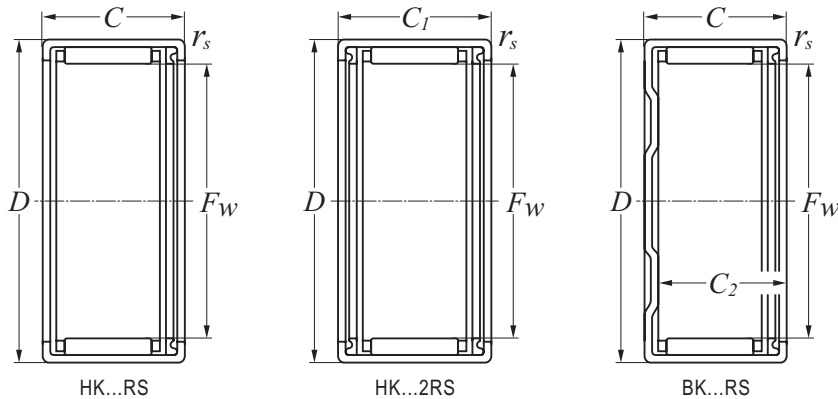
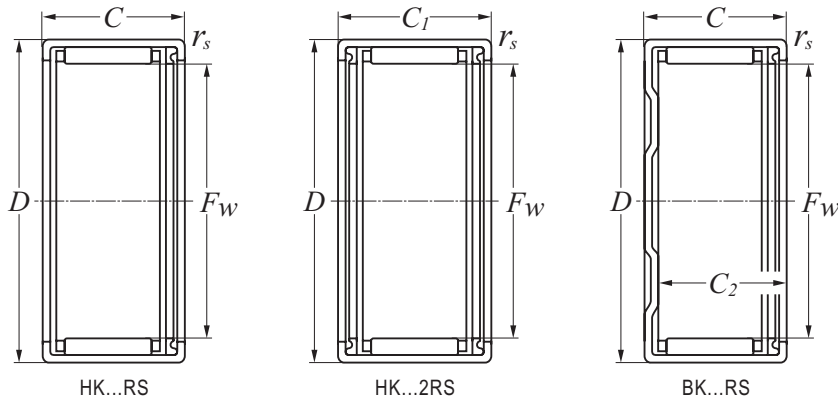



**Technical Information**


Inner bore $F_w$ mm	Bearing number			Principal dimensions		Basic load ratings		Limiting speed $n_{1grease}$ $min^{-1}$	Mass		
	with open ends, sealed on one side	with open ends, sealed on two sides	with closed end, sealed on one side	$D$	$C$	dynamic $C$	static $C_o$		HK..RS	HK..2RS	BK..RS
				mm		N			g		
8	HK 0810 RS	HK 0812 2RS		12	10	2200	2000	14000	2.9	3.5	
10	HK 1012 RS	HK 1014 2RS		14	12	3500	4000	11900	4.2	5.2	
12	HK 1214 RS	HK 1216 2RS		18	14	5200	5800	9800	10.7	11.5	
14	HK 1414 RS	HK 1416 2RS	BK 1414 RS	20	14	5600	6800	8400	12.0	14.0	14.1
15	HK 1514 RS	HK 1516 2RS	BK 1514 RS	21	14	6200	7800	7700	12.6	14.3	14.4
15	HK 1518 RS	HK 1520 2RS		21	18	8400	11500	7700	16.0	18.0	
16	HK 1614 RS	HK 1616 2RS	BK 1614 RS	22	14	6000	7700	7700	13.3	15.1	15.3
16		HK 1620 2RS		22		8700	12200	7700		16.8	
18	HK 1814 RS	HK 1816 2RS		24	14	6400	8700	6600	15.1	17.0	
20		HK 2016 2RS		26		6800	9600	5900		18.8	
20	HK 2018 RS	HK 2020 2RS	BK 2018 RS	26	18	10100	16000	5900	21.4	23.5	24.4
22	HK 2214 RS	HK 2216 2RS		28	14	7200	10700	5600	18.3	20.3	
22	HK 2218 RS	HK 2220 2RS		28	18	10700	17600	5600	23.5	25.5	
25		HK 2516 2RS		32		8800	12100	4900		27.3	
25	HK 2518 RS	HK 2520 2RS	BK 2518 RS	32	18	12400	19200	4900	31.0	33.1	35.3
25		HK 2524 2RS		32		15900	26400	4900		39.7	
25		HK 2530 2RS		32		20400	36000	4900		47.3	
28		HK 2530 2RS		35		13100	21200	4200		36.9	
30		HK 2820 2RS		37		9600	14500	4200		28.5	
30	HK 3018 RS	HK 3020 2RS		37	18	13700	23200	4200	36.6	39.1	
30		HK 3024 2RS		37		17600	31600	4200		49.7	
35		HK 3516 2RS		42		10400	17000	3500		36.4	
35	HK 3518 RS	HK 3520 2RS		42	18	14900	26800	3500	37.4	41.1	
40		HK 4016 2RS		47		11200	19400	3100		41.2	
40	HK 4018 RS	HK 4020 2RS		47	18	16000	30800	3100	47.3	50.2	
45	HK 4518 RS	HK 4520 2RS		52	18	17000	34400	2800	54.2	57.4	
50	HK 5022 RS	HK 5024 2RS		58	22	24800	50400	2500	77.2	84.0	




 SEALED DRAWN CUP NEEDLE ROLLER  
 BEARINGS


Inner bore $F_w$ mm	Bearing number			Dimensions			Suitable inner rings (order separately)		
	with open ends, sealed on one side	with open ends, sealed on two sides	with closed end, sealed on one side	$C_1$	$C_2$ min mm	$r_s$ min	for HK..RS and HK..2RS LR	IR	for BK..RS LR,IR
8	HK 0810 RS	HK 0812 2RS		12		0.4	-	-	-
10	HK 1012 RS	HK 1014 2RS		14		0.4	-	-	-
12	HK 1214 RS	HK 1216 2RS		16		0.8	-	-	-
14	HK 1414 RS	HK 1416 2RS	BK 1414 RS	16	11.3	0.8	-	-	-
15	HK 1514 RS	HK 1516 2RS	BK 1514 RS	16	11.3	0.8	LR 12 x 15 x 16.5	IR 12 x 15 x 16.5	LR 12x 15 x12.5
15	HK 1518 RS	HK 1520 2RS		20		0.8	-	-	-
16	HK 1614 RS	HK 1616 2RS	BK 1614 RS	16	11.3	0.8	-	IR 12 x 15 x 20.0	LR 12 x 16 x 13
16		HK 1620 2RS		20		0.8	-	-	-
18	HK 1814 RS	HK 1816 2RS		16		0.8	LR 15 x 18 x 16.5	IR 15 x 18 x 16.5	-
20		HK 2016 2RS		16		0.8	LR 17 x 20 x 16.5	IR 17 x 20 x 16.5	-
20	HK 2018 RS	HK 2020 2RS	BK 2018 RS	20	15.3	0.8	LR 17 x 20 x 20.5	IR 17 x 20 x 20.5	LR 17 x 20 x 16.5
22	HK 2214 RS	HK 2216 2RS		16		0.8	-	IR 17 x 22 x 23.0	-
22	HK 2218 RS	HK 2220 2RS		20		0.8	-	IR 17 x 22 x 23.0	-
25		HK 2516 2RS		16		0.8	LR 20 x 25 x 16.5	IR 20 x 25 x 17.0	-
25	HK 2518 RS	HK 2520 2RS	BK 2518 RS	20	15.3	0.8	LR 20 x 25 x 20.5	IR 20 x 25 x 20.5	LR 20 x 25 x16.5
25		HK 2524 2RS		24		0.8	-	-	-
25		HK 2530 2RS		30		0.8	-	IR 20 x 25 x 30.0	-
28		HK 2530 2RS		20		0.8	LR 22 x 28 x 20.5	IR 22 x 28 x 20.5	-
30		HK 2820 2RS		16		0.8	LR 25 x 30 x 16.5	IR 25 x 30 x 17.0	-
30	HK 3018 RS	HK 3020 2RS		20		0.8	LR 25 x 30 x 20.5	IR 25 x 30 x 20.5	-
30		HK 3024 2RS		24		0.8	-	-	-
35		HK 3516 2RS		16		0.8	LR 30 x 35 x 16.5	IR 30 x 35 x 17.0	-
35	HK 3518 RS	HK 3520 2RS		20		0.8	LR 30 x 35 x 20.5	IR 30 x 35 x 20.5	-
40		HK 4016 2RS		16		0.8	LR 35 x 40 x 16.5	IR 35 x 40 x 20.5	-
40	HK 4018 RS	HK 4020 2RS		20		0.8	LR 35 x 40 x 20.5	IR 35 x 40 x 20.5	-
45	HK 4518 RS	HK 4520 2RS		20		0.8	LR 40 x 45 x 20.5	IR 40 x 45 x 20.5	-
50	HK 5022 RS	HK 5024 2RS		24		0.8	LR 45 x 50 x 25.5	IR 45 x 50 x 25.5	-

