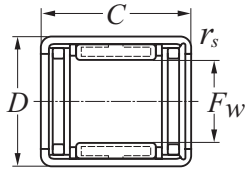
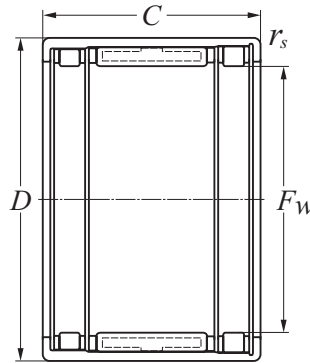


Technical Information



HFL 0408\* and HFL 0615



HFL 0822 to HFL 3530

Inner bore $F_w$ mm	Bearing number	Principal dimensions			Basic load ratings		Limiting speeds <sup>1)</sup>		Transmissible torque Md Nm	Mass g
		$D$	$C$ mm	$r_s$ min	dynamic C N	static Co	n	$N_x$ 2)		
4	HFL 0408*	8	8	0.3	80	16000	23800	9800	0.34	1.6
6	HFL 0615	10	15	0.3	110	18000	16100	9100	1.76	4.0
8	HFL 0822	12	22	0.3	4050	4150	11900	8400	3.15	6.3
10	HFL 1022	14	22	0.3	4300	4650	9800	7700	5.30	7.4
12	HFL 1226	18	26	0.3	6300	6500	7700	5600	12.20	18.0
14	HFL 1426	20	26	0.3	7100	7700	6600	5600	17.30	20.3
16	HFL 1626	22	26	0.3	7300	8400	5900	5200	20.50	22.0
18	HFL 1826	24	26	0.3	8300	10300	5200	5200	24.10	24.4
20	HFL 2026	26	26	0.3	8200	10400	4900	4500	28.50	27.0
25	HFL 2530	32	30	0.3	10900	14100	3800	3800	66.00	44.0
30	HFL 3030	37	30	0.3	12600	17600	3100	3100	90.00	51.0
35	HFL 3530	42	30	0.3	13000	19300	2700	2700	121.00	58.0

