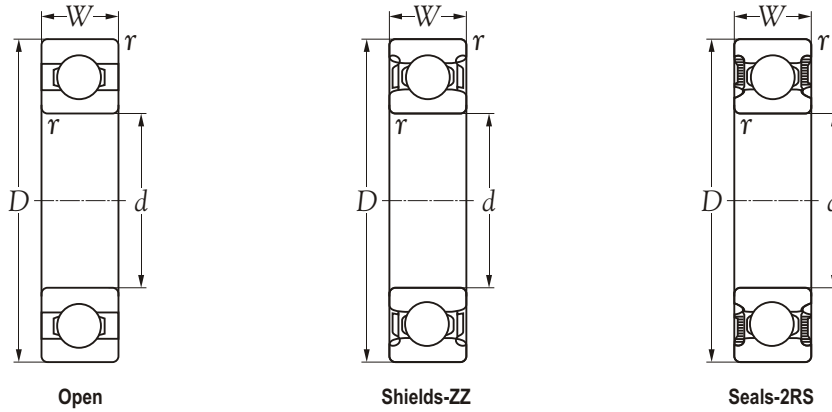


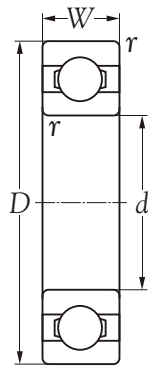


Technical Information

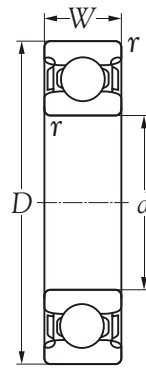


Inner bore <i>d</i> mm	Bearing number			Principal dimensions			Basic load ratings		Max runout speed		Mass kg
	open	with shields	with seals	<i>D</i>	<i>W</i> mm	<i>r</i>	dynamic <i>C</i> N	static <i>C</i> ₀	grease r/min	oil r/min	
10	6900	6900 ZZ	6900 2RS	22	6	0.3	1500	600	23800	28000	0.010
12	6901	6901 ZZ	6901 2RS	24	6	0.3	1800	700	21000	25200	0.011
15	6902	6902 ZZ	6902 2RS	28	7	0.3	3200	1600	16800	21000	0.016
17	6903	6903 ZZ	6903 2RS	30	7	0.3	3400	1800	15400	19600	0.018
20	6904	6904 ZZ	6904 2RS	37	9	0.3	5000	2900	12600	15400	0.038
25	6905	6905 ZZ	6905 2RS	42	9	0.3	5300	3200	11200	13300	0.045
30	6906	6906 ZZ	6906 2RS	47	9	0.3	5800	3600	9800	11900	0.051
35	6907	6907 ZZ	6907 2RS	55	10	0.6	7600	4900	7700	9800	0.080
40	6908	6908 ZZ	6908 2RS	62	12	0.6	11000	7400	7000	9100	0.120
45	6909	6909 ZZ	6909 2RS	68	12	0.6	8000	5300	6300	7700	0.140
50	6910	6910 ZZ	6910 2RS	72	12	0.6	11600	8300	5900	7000	0.140
55	6911	6911 ZZ	6911 2RS	80	13	1.0	12700	9100	5600	6600	0.190
60	6912	6912 ZZ	6912 2RS	85	13	1.0	13200	9600	5200	6300	0.200
65	6913	6913 ZZ	6913 2RS	90	13	1.0	13900	10700	4600	5600	0.220
70	6914	6914 ZZ	6914 2RS	100	16	1.0	19000	14600	4400	5200	0.350
75	6915	6915 ZZ	6915 2RS	105	16	1.0	19300	15400	4200	4900	0.370
80	6916	6916 ZZ	6916 2RS	110	16	1.0	20000	16300	3900	4600	0.400
85	6917			120	18	1.0	25500	24000	3700	4400	0.550
90	6918			125	18	1.0	26500	25200	3500	4200	0.590
95	6919			130	18	1.0	27000	26800	3300	3900	0.610
100	6920			140	20	1.0	33800	33200	3100	3700	0.830
105	6921			145	20	1.0	35300	35200	3000	3500	0.870
110	6922			150	20	1.0	34800	36000	2800	3300	0.900
120	6924			165	22	1.0	44200	45600	2500	3000	1.200
130	6926			180	24	1.5	52000	53600	2300	2800	1.600
140	6928			190	24	1.5	53000	57600	2200	2600	1.700
150	6930			210	28	2.0	70700	74400	1900	2300	3.050
160	6932			220	28	2.0	73800	78400	1800	2200	3.250
170	6934			230	28	2.0	74800	84800	1600	2100	3.400
180	6936			250	33	2.0	9500	107200	1500	1900	5.050
190	6938			260	33	2.0	9300	107200	1500	1900	5.250
200	6940			280	38	2.0	11800	132800	1400	1800	7.400
220	6944			300	38	2.0	120800	144000	1300	1600	8.000
240	6948			320	38	2.0	127200	160000	1200	1500	8.600

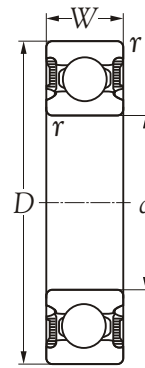




Open



Shields-ZZ



Seals-2RS

Inner bore <i>d</i> mm	Bearing number			Principal dimensions			Basic load ratings		Max runout speed		Mass kg
	open	with shields	with seals	<i>D</i>	<i>W</i> mm	<i>r</i>	dynamic <i>C</i> N	static <i>C₀</i>	grease	oil	
260	6952			360	46	2.0	169600	216000	1100	1300	14.5
280	6956			380	46	2.0	172800	228000	1000	1200	15.5
300	6960			420	56	2.5	216000	300000	900	1100	24.5

