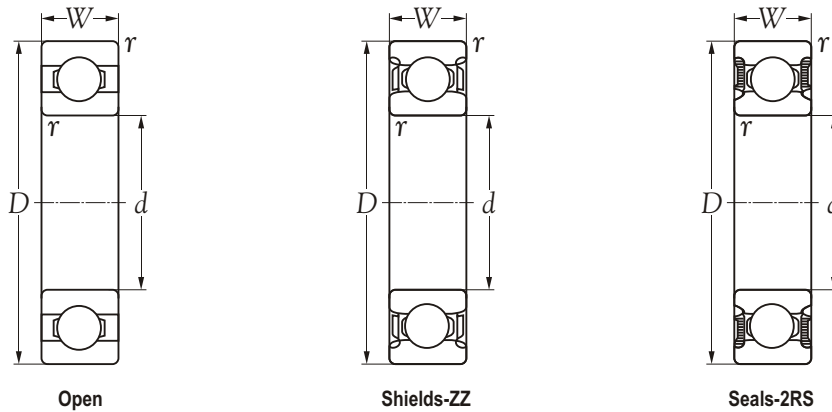


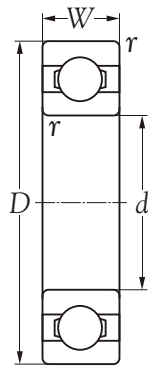


Technical Information

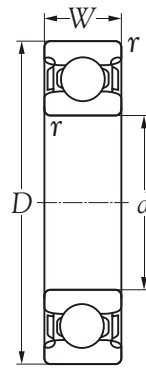


Inner bore <i>d</i> mm	Bearing number			Principal dimensions			Basic load ratings		Max runout speed		Mass kg
	open	with shields	with seals	<i>D</i>	<i>W</i> mm	<i>r</i>	dynamic <i>C</i> N	static <i>C</i> <sub>0</sub>	grease r/min	oil r/min	
10	6800	6800 ZZ	6800 2RS	19	5	0.3	1100	400	25200	30100	0.0055
12	6801	6801 ZZ	6801 2RS	21	5	0.3	1100	500	22400	26600	0.0063
15	6802	6802 ZZ	6802 2RS	24	5	0.3	1200	600	19600	23800	0.0074
17	6803	6803 ZZ	6803 2RS	26	5	0.3	1300	700	16800	21000	0.0082
20	6804	6804 ZZ	6804 2RS	32	7	0.3	2100	1200	13300	16800	0.0180
25	6805	6805 ZZ	6805 2RS	37	7	0.3	3400	2000	11900	14000	0.0220
30	6806	6806 ZZ	6806 2RS	42	7	0.3	3500	2300	10500	12600	0.0270
35	6807	6807 ZZ	6807 2RS	47	7	0.3	3800	2500	9100	11200	0.0300
40	6808	6808 ZZ	6808 2RS	52	7	0.3	3900	2700	7700	9800	0.0340
45	6809	6809 ZZ	6809 2RS	58	7	0.3	4800	3400	6600	8400	0.0400
50	6810	6810 ZZ	6810 2RS	65	7	0.3	4900	3800	6300	7700	0.0520
55	6811	6811 ZZ	6811 2RS	72	9	0.3	6600	4900	5900	7000	0.0830
60	6812	6812 ZZ	6812 2RS	78	10	0.3	6900	5300	5200	6300	0.1100
65	6813	6813 ZZ	6813 2RS	85	10	0.6	9300	7300	4900	5900	0.1300
70	6814	6814 ZZ	6814 2RS	90	10	0.6	9600	8000	4600	5600	0.1400
75	6815	6815 ZZ	6815 2RS	95	10	0.6	10000	8600	4400	5200	0.1500
80	6816	6816 ZZ	6816 2RS	100	10	0.6	9900	8600	4200	4900	0.1500
85	6817	6817 ZZ	6817 2RS	110	13	1.0	15600	13200	3700	4400	0.2700
90	6818	6818 ZZ	6818 2RS	115	13	1.0	15600	13600	3700	4400	0.2800
95	6819	6819 ZZ	6819 2RS	120	13	1.0	15900	14000	3500	4200	0.3000
100	6820	6820 ZZ	6820 2RS	125	13	1.0	15900	14600	3300	3900	0.3100
105	6821	6821 ZZ	6821 2RS	130	13	1.0	16600	15600	3100	3700	0.3200
110	6822	6822 ZZ	6822 2RS	140	16	1.0	22400	20800	3000	3500	0.6000
120	6824	6824 ZZ	6824 2RS	150	16	1.0	23200	22400	2600	3100	0.6500
130	6826	6826 ZZ	6826 2RS	165	18	1.0	30100	34400	2500	3000	0.9300
140	6828	6828 ZZ	6828 2RS	175	18	1.0	31200	37200	2300	2800	0.9900
150	6830			190	20	1.0	39000	48800	2100	2500	1.4000
160	6832			200	20	1.0	39500	51200	1900	2300	1.4500
170	6834			215	22	1.0	49400	62400	1800	2200	1.9000
180	6836			225	22	1.0	49900	65200	1600	2100	2.0000
190	6838			240	24	1.5	60800	78400	1500	1900	2.6000
200	6840			250	24	1.5	60800	81600	1500	1900	2.7000
220	6844			270	24	1.5	62400	88000	1300	1600	3.0000
240	6848			300	28	2.0	86400	120000	1200	1500	4.5000

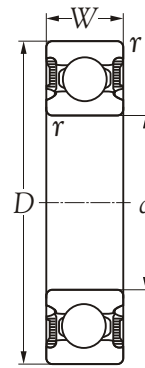




Open



Shields-ZZ



Seals-2RS

Inner bore <i>d</i> mm	Bearing number			Principal dimensions			Basic load ratings		Max runout speed		Mass kg
	open	with shields	with seals	<i>D</i>	<i>W</i> mm	<i>r</i>	dynamic <i>C</i> N	static <i>C<sub>0</sub></i>	grease	oil	
260	6852			320	28	2.0	88800	130400	1100	1400	4.8000
280	6856			350	33	2.0	110400	160000	1100	1300	7.4000
300	6860			380	38	2.0	137600	196000	900	1100	10.5000

