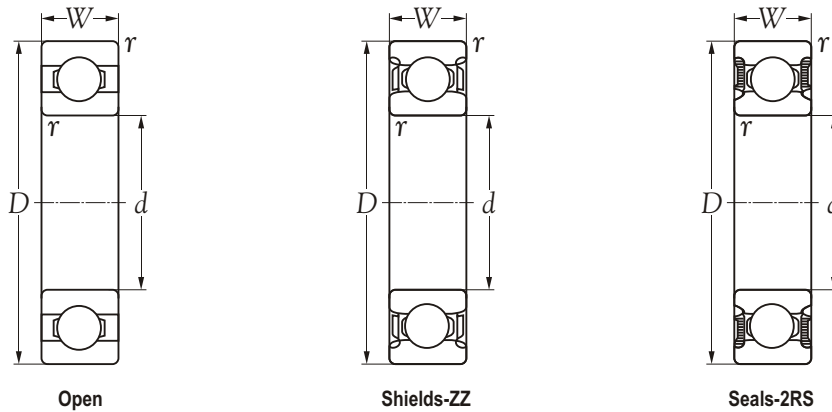




Technical Information



Inner bore <i>d</i> mm	Bearing number			Principal dimensions			Basic load ratings		Max runout speed		Mass kg
	open	with shields	with seals	<i>D</i>	<i>W</i> mm	<i>r</i>	dynamic <i>C</i> N	static <i>C</i> ₀	grease oil	r/min	
10	6300	6300 ZZ	6300 2RS	35	11	0.6	6400	2700	10500	16800	0.053
12	6301	6301 ZZ	6301 2RS	37	12	1.0	7700	3300	9800	15400	0.059
15	6302	6302 ZZ	6302 2RS	42	13	1.0	9100	4300	8400	14000	0.082
17	6303	6303 ZZ	6303 2RS	47	14	1.0	10800	5200	7700	13300	0.120
20	6304	6304 ZZ	6304 2RS	52	15	1.1	12700	6200	6600	11200	0.142
25	6305	6305 ZZ	6305 2RS	62	17	1.1	18000	9200	5200	9800	0.230
30	6306	6306 ZZ	6306 2RS	72	19	1.0	22400	12800	4400	7700	0.350
35	6307	6307 ZZ	6307 2RS	80	21	1.5	26500	15200	4200	7000	0.460
40	6308	6308 ZZ	6308 2RS	90	23	1.5	32800	19200	3500	6300	0.630
45	6309	6309 ZZ	6309 2RS	100	25	1.5	42100	25200	3100	5600	0.830
50	6310	6310 ZZ	6310 2RS	110	27	2.0	49400	30400	3000	5200	1.050
55	6311	6311 ZZ	6311 2RS	120	29	2.0	57200	36000	2600	4600	1.350
60	6312	6312 ZZ	6312 2RS	130	31	2.0	65500	41600	2300	4200	1.700
65	6313	6313 ZZ	6313 2RS	140	33	2.0	73800	48000	3300	3900	2.100
70	6314	6314 ZZ	6314 2RS	150	35	2.0	83200	54400	3100	3700	2.500
75	6315	6315 ZZ	6315 2RS	160	37	2.0	91200	61200	3000	3500	3.000
80	6316	6316 ZZ	6316 2RS	170	39	2.0	99200	69200	2600	3100	3.600
85	6317	6317 ZZ	6317 2RS	180	41	2.5	106400	77200	2500	3000	4.250
90	6318	6318 ZZ	6318 2RS	190	43	2.5	114400	86400	2300	2800	4.900
95	6319	6319 ZZ		200	45	2.5	122400	94400	2200	2600	5.650
100	6320	6320 ZZ		215	47	2.5	139200	112000	2100	2500	7.000
105	6321	6321 ZZ		225	49	2.5	145600	122400	1900	2300	8.250
110	6322			240	50	2.5	162400	144000	1800	2200	9.550
120	6324			260	55	2.5	166400	148800	1600	2100	14.500
130	6326			280	58	3.0	183200	172800	1500	1900	18.000
140	6328			300	62	3.0	200800	196000	1400	1800	22.000
150	6330			320	65	3.0	220800	228000	1300	1600	26.000
160	6332			340	68	3.0	220800	228000	1200	1500	29.000
170	6334			360	72	3.0	249600	272000	1100	1400	34.500
180	6336			380	75	3.0	280800	324000	1100	1400	42.500
190	6338			400	78	4.0	296800	344000	1100	1300	49.000
200	6340			420	80	4.0	301600	372000	1000	1200	55.500
220	6344			460	88	4.0	328000	416000	900	1100	72.500

