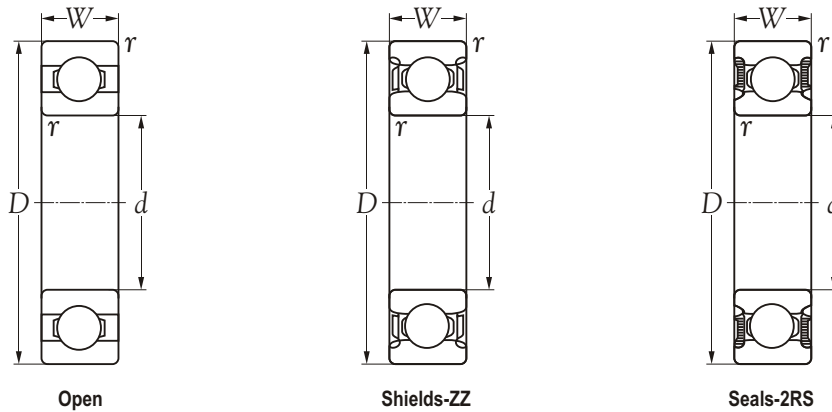


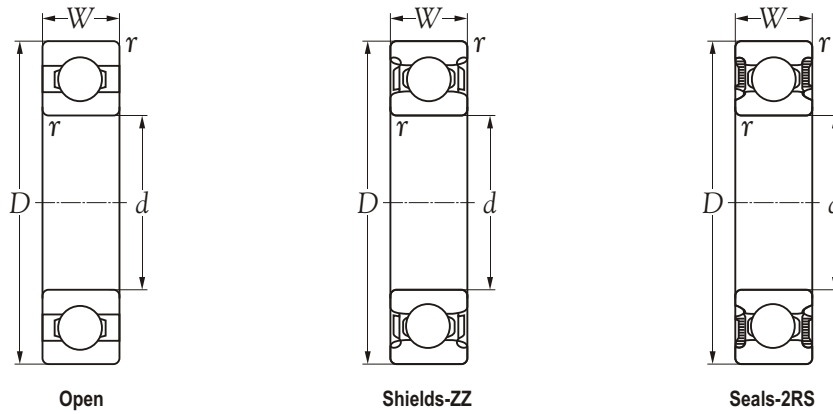


Technical Information



Inner bore <i>d</i> mm	Bearing number			Principal dimensions			Basic load ratings		Max runout speed		Mass kg
	open	with shields	with seals	<i>D</i>	<i>W</i> mm	<i>r</i>	dynamic <i>C</i> N	static <i>C</i> <sub>0</sub>	grease oil	r/min	
3	623	623 ZZ		10	4	0.1	300	100	42000	49000	0.001
4	624	624 ZZ		13	5	0.2	700	200	33600	39200	0.003
5	625	625 ZZ		16	5	0.3	800	300	30100	35000	0.005
6	626	626 ZZ	626 2RS	19	6	0.3	1300	400	25200	30100	0.084
7	627	627 ZZ	627 2RS	22	7	0.3	2600	1000	22400	26600	0.013
9	629	629 ZZ	629 2RS	26	8	0.3	3600	1500	19600	23800	0.020
10	6200	6200 ZZ	6200 2RS	30	9	0.6	4000	1800	16800	21000	0.030
12	6201	6201 ZZ	6201 2RS	32	10	0.6	5500	2400	15400	19600	0.037
15	6202	6202 ZZ	6202 2RS	35	11	0.6	6200	3000	13300	16800	0.046
17	6203	6203 ZZ	6203 2RS	40	12	0.6	7600	3800	11900	14000	0.065
20	6204	6204 ZZ	6204 2RS	47	14	1.0	10100	5200	10500	12600	0.107
25	6205	6205 ZZ	6205 2RS	52	15	1.0	11200	6200	8400	11200	0.125
30	6206	6206 ZZ	6206 2RS	62	16	1.0	15600	8900	7000	9100	0.205
35	6207	6207 ZZ	6207 2RS	72	17	1.0	20400	12200	6300	7700	0.290
40	6208	6208 ZZ	6208 2RS	80	18	1.0	24500	15200	5900	7000	0.370
45	6209	6209 ZZ	6209 2RS	85	19	1.0	26500	17200	5200	6300	0.410
50	6210	6210 ZZ	6210 2RS	90	20	1.0	28000	18500	4900	5900	0.460
55	6211	6211 ZZ	6211 2RS	100	21	1.5	34800	23200	4400	5200	0.610
60	6212	6212 ZZ	6212 2RS	110	22	1.5	38000	26000	4200	4900	0.780
65	6213	6213 ZZ	6213 2RS	120	23	1.5	44700	32400	3700	4400	0.990
70	6214	6214 ZZ	6214 2RS	125	24	1.5	48400	36000	3500	4200	1.050
75	6215	6215 ZZ	6215 2RS	130	25	1.5	53000	39200	3300	3900	1.200
80	6216	6216 ZZ	6216 2RS	140	26	2.0	56100	44000	3100	3700	1.400
85	6217	6217 ZZ	6217 2RS	150	28	2.0	66500	51200	3000	3500	1.800
90	6218	6218 ZZ	6218 2RS	160	30	2.0	76400	58800	2600	3100	2.150
95	6219	6219 ZZ	6219 2RS	170	32	2.0	86400	65200	2500	3000	2.600
100	6220	6220 ZZ	6220 2RS	180	34	2.0	99200	74400	2300	2800	3.150
105	6221	6221 ZZ	6221 2RS	190	36	2.0	106400	83200	2200	2600	3.700
110	6222	6222 ZZ	6222 2RS	200	38	2.0	114400	94400	2100	2500	4.350
120	6224	6224 ZZ	6224 2RS	215	40	2.0	116800	94400	1900	2300	5.150
130	6226	6226 ZZ		230	40	2.5	124800	105600	1800	2200	5.800
140	6228			250	42	2.5	132000	120000	1600	2100	7.450
150	6230			270	45	2.5	139200	132800	1400	1800	9.400
160	6232			290	48	2.5	148800	148800	1300	1600	14.500





Inner bore <i>d</i> mm	Bearing number			Principal dimensions			Basic load ratings		Max runout speed		Mass kg
	open	with shields	with seals	<i>D</i>	<i>W</i> mm	<i>r</i>	dynamic <i>C</i> N	static <i>C<sub>0</sub></i>	grease	oil	
									r/min		
170	6234			310	52	3.0	1696000	179200	1300	1600	17.500
180	6236	6236 ZZ	6236 2RS	320	52	3.0	183200	192000	1200	1500	18.500
190	6238	6238 ZZ	6238 2RS	340	55	3.0	204000	224000	1100	1400	23.000
200	6240	6240 ZZ	6240 2RS	360	58	3.0	216000	248000	1100	1400	28.000
220	6244	6244 ZZ	6244 2RS	400	65	3.0	236800	292000	1000	1200	37.000
240	6248	6248 ZZ	6248 2RS	440	72	3.0	286400	380000	900	1100	51.000
260	6252	6252 ZZ	6252 2RS	480	80	4.0	312000	424000	700	900	65.500
280	6256	6256 ZZ	6256 2RS	500	80	4.0	338400	480000	700	900	71.000

