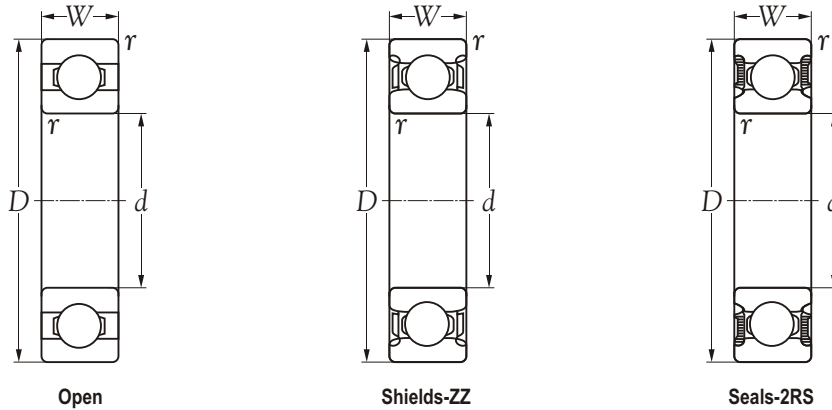


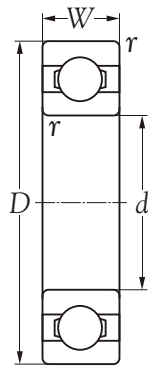


Technical Information

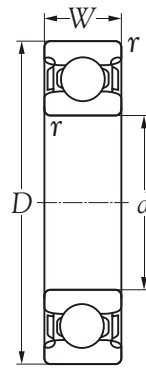


Inner bore <i>d</i> mm	Bearing number			Principal dimensions			Basic load ratings		Max runout speed		Mass kg
	open	with shields	with seals	<i>D</i>	<i>W</i> mm	<i>r</i>	dynamic <i>C</i> N	static <i>C</i> ₀	grease r/min	oil r/min	
4	604			12	4	0.2	600	200	37100	44100	0.0022
7	607	607 ZZ	607 2RS	19	6	0.3	1300	400	26600	31500	0.0075
8	608	608 ZZ	608 2RS	22	7	0.3	2600	1000	25200	30100	0.0120
9	609	609 ZZ	609 2RS	24	7	0.3	2900	1300	22400	26600	0.0140
10	6000	6000 ZZ	6000 2RS	26	8	0.3	3600	1500	21000	25200	0.0190
12	6001	6001 ZZ	6001 2RS	28	8	0.3	4000	1800	18200	22400	0.0220
15	6002	6002 ZZ	6002 2RS	32	9	0.3	4400	2200	15400	19600	0.0300
17	6003	6003 ZZ	6003 2RS	35	10	0.3	4800	2600	13300	16800	0.0390
20	6004	6004 ZZ	6004 2RS	42	12	0.6	7400	4000	11900	14000	0.0690
25	6005	6005 ZZ	6005 2RS	47	12	0.6	8900	5200	10500	12600	0.0800
30	6006	6006 ZZ	6006 2RS	55	13	1.0	10600	6600	8400	10500	0.1200
35	6007	6007 ZZ	6007 2RS	62	14	1.0	12700	8100	7000	9100	0.1600
40	6008	6008 ZZ	6008 2RS	68	15	1.0	13400	9200	6650	8400	0.1900
45	6009	6009 ZZ	6009 2RS	75	16	1.0	16600	11600	6300	7700	0.2500
50	6010	6010 ZZ	6010 2RS	80	16	1.0	17200	12800	5950	7000	0.2600
55	6011	6011 ZZ	6011 2RS	90	18	1.1	22400	16900	5250	6300	0.3900
60	6012	6012 ZZ	6012 2RS	95	18	1.1	23600	18500	4690	5600	0.4200
65	6013	6013 ZZ	6013 2RS	100	18	1.1	24500	20000	4410	5250	0.4400
70	6014	6014 ZZ	6014 2RS	110	20	1.1	30100	24800	4200	4900	0.6000
75	6015	6015 ZZ	6015 2RS	115	20	1.1	31700	26800	3920	4600	0.6400
80	6016	6016 ZZ	6016 2RS	125	22	1.1	38000	32000	3710	4400	0.8500
85	6017	6017 ZZ	6017 2RS	130	22	1.1	39500	34400	3500	4200	0.8900
90	6018	6018 ZZ	6018 2RS	140	24	1.5	46800	40000	3360	3900	1.1500
95	6019	6019 ZZ	6019 2RS	145	24	1.5	48400	43200	3150	3700	1.2000
100	6020	6020 ZZ	6020 2RS	150	24	1.5	48400	43200	3010	3500	1.2500
105	6021	6021 ZZ	6021 2RS	160	26	2.0	58200	52400	2800	3300	1.6000
110	6022	6022 ZZ	6022 2RS	170	28	2.0	65500	58800	2660	3100	1.9500
120	6024	6024 ZZ	6024 2RS	180	28	2.0	68100	64000	2380	2800	2.0500
130	6026	6026 ZZ	6026 2RS	200	33	2.0	84800	80000	2240	2600	3.1500
140	6028	6028 ZZ	6028 2RS	210	33	2.0	88800	86400	2100	2500	3.3500
150	6030	6030 ZZ	6030 2RS	225	35	2.1	100000	100000	1820	2200	4.8000
160	6032	6032 ZZ	6032 2RS	240	38	2.1	114400	114400	1680	2100	5.9000
170	6034			260	42	2.1	134400	138400	1540	1900	7.9000
180	6036			280	46	2.1	152000	160000	1400	1800	10.500

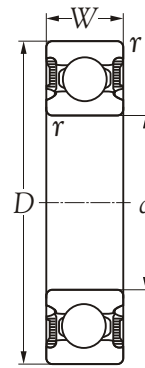




Open



Shields-ZZ



Seals-2RS

Inner bore <i>d</i> mm	Bearing number			Principal dimensions			Basic load ratings		Max runout speed		Mass kg
	open	with shields	with seals	<i>D</i>	<i>W</i> mm	<i>r</i>	dynamic <i>C</i> N	static <i>C</i> ₀	grease	oil	
									r/min		
190	6038			290	46	2.1	156000	172800	1400	1800	11.0
200	6040			310	51	2.0	216000	245000	1900	2400	14.0
220	6044			340	56	2.5	247000	290000	1800	2200	18.5
240	6048			360	56	2.5	255000	315000	1700	2000	19.5
260	6052			400	65	3.0	291000	375000	1500	1800	29.5
280	6056			420	65	3.0	302000	405000	1400	1700	31.0
300	6060			460	74	3.0	358000	500000	1200	1500	44.0

