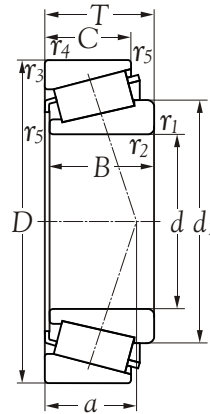


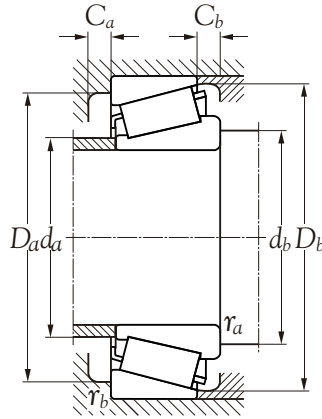


Technical Information



Inner bore <i>d</i> mm	Bearing number	Principal dimensions		Basic load ratings		Speed ratings		Dimension series to iso 355	Mass kg
		<i>D</i> mm	<i>T</i> mm	dynamic <i>C</i> N	static <i>C₀</i> N	grease lubrication r/min	oil lubrication r/min		
40	33108	75	26	63300	83200	3500	4600	2 CE	0.51
45	33109	80	26	67300	91200	3100	4200	3 CE	0.56
50	33110	85	26	68600	97600	3000	3900	3 CE	0.59
55	33111	95	30	88000	124800	2600	3500	3 CE	0.86
60	33112	100	30	93600	136000	2500	3300	3 CE	0.92
65	33113	110	34	113600	166400	2200	3000	3 DE	1.30
70	33114	120	37	137600	200000	2100	2800	3 DE	1.70
75	33115	125	37	140800	212000	1900	2600	3 DE	1.80
80	33116	130	37	143200	224000	1800	2500	3 DE	1.90
85	33117	140	41	176000	272000	1600	2300	3 DE	2.45
90	33118	150	45	200800	312000	1400	2100	3 DE	3.10
110	33122	180	56	295200	504000	1200	1800	3 EE	5.55





Inner bore d mm	Bearing number	Dimensions(mm)							Abutment and fillet dimensions(mm)								Calculation factors			
		d_1 \approx	B	C	$r_{1,2}$ min	$r_{3,4}$ min	r_5 min	a	d_a max	d_b min	D_a min	D_a max	D_b min	C_a min	C_b min	r_a max	r_b max	e	Y	Y_0
40	33108	57.5	26	20.5	1.5	1.5	0.6	18	47	47	65	68	71	4	5.5	1.0	1.0	0.35	1.7	0.9
45	33109	62.7	26	20.5	1.5	1.5	0.6	19	52	52	69	73	77	4	5.5	1.0	1.0	0.37	1.6	0.9
50	33110	67.9	26	20.0	1.5	1.5	0.6	20	57	57	74	78	82	4	6.0	1.0	1.0	0.40	1.5	0.8
55	33111	75.1	30	23.0	1.5	1.5	0.6	22	63	62	88	88	91	5	7.0	1.0	1.0	0.37	1.6	0.9
60	33112	80.4	30	23.0	1.5	1.5	0.6	23	67	67	88	93	96	5	7.0	1.0	1.0	0.40	1.5	0.8
65	33113	87.9	34	26.5	1.5	1.5	0.6	26	74	72	96	103	106	6	7.5	1.0	1.0	0.40	1.5	0.8
70	33114	94.8	37	29.0	2.0	1.5	0.6	28	80	79	104	111	115	6	8.0	1.5	1.5	0.37	1.6	0.9
75	33115	100.0	37	29.0	2.0	1.5	0.6	29	84	84	109	116	120	6	8.0	1.5	1.5	0.40	1.5	0.8
80	33116	105.0	37	29.0	2.0	1.5	0.6	30	89	89	114	121	126	6	8.0	1.5	1.5	0.43	1.1	0.8
85	33117	112.0	41	32.0	2.5	2.0	0.6	32	95	95	122	130	135	7	9.0	2.0	2.0	0.40	1.5	0.8
90	33118	120.0	45	35.0	2.5	2.0	0.6	35	101	100	130	140	144	7	10.0	2.0	2.0	0.40	1.5	0.8
110	33122	146.0	56	43.0	2.5	2.0	0.6	44	121	120	155	170	174	9	13.0	2.0	2.0	0.43	1.4	0.8

