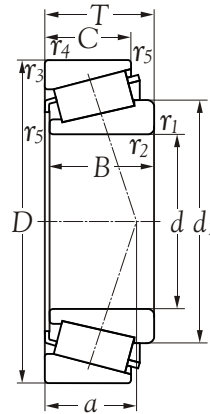


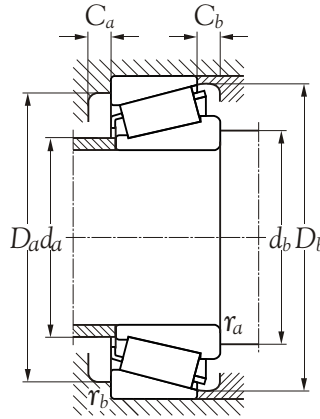


Technical Information



Inner bore <i>d</i> mm	Bearing number	Principal dimensions		Basic load ratings		Speed ratings		Dimension series to iso 355	Mass kg
		<i>D</i> mm	<i>T</i> mm	dynamic C N	static C ₀ N	grease oil r/min	lubrication oil r/min		
17	32303	47	20.25	27700	26800	5600	7700	2 FD	0.17
20	32304	52	22.50	35200	36400	5200	7000	2 FD	0.23
25	32305	62	25.25	48400	50400	4200	5600	2 FD	0.36
30	32306	72	28.75	61200	68000	3700	4900	2 FD	0.55
35	32307 B	80	32.75	74800	91200	3100	4200	5 FE	0.80
35	32307	80	32.75	76100	84800	3300	4400	2 FE	0.73
40	32308 B	90	35.25	86400	112000	2800	3700	5 FD	1.10
40	32308	90	35.25	93600	112000	2800	3700	2 FD	1.00
45	32309 B	100	38.25	107200	140800	2500	3300	5 FD	1.45
45	32309	100	38.25	112000	136000	2500	3300	2 FD	1.35
50	32310 B	110	42.25	128800	172800	2200	3000	5 FD	1.85
50	32310	110	42.25	137600	169600	2200	3000	2 FD	1.80
55	32311	120	45.50	158400	200000	2100	2800	2 FD	2.30
55	32311 B	120	45.50	152000	208000	1900	2600	5 FD	2.50
60	32312	130	48.50	183200	232000	1800	2500	2 FD	2.85
60	32312 B	130	48.50	176000	244000	1800	2500	5 FD	2.80
65	32313	140	51.00	211200	268000	1600	2300	2 GD	3.45
65	32313 B	140	51.00	196800	276000	1500	2200	5 GD	3.35
70	32314	150	54.00	237600	304000	1500	2200	2 GD	4.30
70	32314 B	150	54.00	224800	320000	1400	2100	5 GD	4.25
75	32315	160	58.00	268800	352000	1400	2100	2 GD	5.20
75	32315 B	160	58.00	268800	380000	1300	1900	5 GD	5.55
80	32316	170	61.50	304000	400000	1300	1900	2 GD	6.20
80	32316 B	170	61.50	286400	416000	1200	1800	5 GD	5.70
85	32317	180	63.50	321600	424000	1200	1800	2 GD	6.85
85	32317 B	180	63.50	312800	448000	1200	1800	5 GD	7.50
90	32318	190	67.50	365600	488000	1100	1600	2 GD	8.40
95	32319	200	71.50	400800	536000	1100	1600	2 GD	11.00
100	32320	215	77.50	457600	624000	1100	1500	2 GD	12.50
105	32321	225	81.50	484000	652000	1000	1400	2 GD	14.50
110	32322	240	84.50	501600	664000	900	1300	2 GD	17.00
120	32324	260	90.50	633600	896000	900	1200	2 GD	21.50
130	32326	280	98.75	686400	944000	700	1100		30.50
150	32330	320	114.00	936000	1328000	600	900		46.00





Inner bore d mm	Bearing number	Dimensions(mm)							Abutment and fillet dimensions(mm)								Calculation factors			
		d_1 ≈	B	C	$r_{1.2}$ min	$r_{3.4}$ min	r_5 min	a	d_a max	d_b min	D_a min	D_a max	D_b min	C_a min	C_b min	r_a max	r_b max	e	Y	Y_0
17	32303	30.7	19	13	1.0	1.0	0.3	12	24	23	39	41	43	3	4.0	1.0	1.0	0.28	2.10	1.1
20	32304	34.5	21	18	1.5	1.5	0.6	14	27	27	43	45	47	3	4.0	1.0	1.0	0.30	2.00	1.1
25	32305	41.7	24	20	1.5	1.5	0.6	15	33	32	52	55	57	3	5.0	1.0	1.0	0.30	2.00	1.1
30	32306	48.7	27	23	1.5	1.5	0.6	18	39	37	59	65	66	3	5.5	1.0	1.0	0.31	1.90	1.1
35	32307 B	59.3	31	25	2.0	1.5	0.6	24	42	44	61	71	76	4	7.5	1.5	1.5	0.54	1.10	0.6
35	32307	54.8	31	25	2.0	1.5	0.6	20	44	44	66	71	74	4	7.5	1.5	1.5	0.31	1.90	1.1
40	32308 B	62.9	33	27	2.0	1.5	0.6	23	51	49	73	81	82	3	8.0	1.5	1.5	0.35	1.70	0.9
40	32308	67.1	23	17	2.0	1.5	0.6	28	51	49	71	81	86	3	8.0	1.5	1.5	0.83	0.72	0.4
45	32309 B	74.8	36	30	2.0	1.5	0.6	30	55	54	76	91	94	5	8.0	1.5	1.5	0.54	1.10	0.6
45	32309	70.4	36	30	2.0	1.5	0.6	25	57	54	82	91	93	4	8.0	1.5	1.5	0.35	1.70	0.9
50	32310 B	82.9	40	33	2.5	2.0	0.6	34	62	60	83	100	103	5	9.0	2.0	2.0	0.54	1.10	0.6
50	32310	77.7	40	33	2.5	2.0	0.6	27	63	60	90	100	102	5	9.0	2.0	2.0	0.35	1.70	0.9
55	32311	84.6	43	35	2.5	2.0	0.6	29	68	65	99	110	111	5	10.5	2.0	2.0	0.35	1.70	0.9
55	32311 B	90.5	43	35	2.5	2.0	0.6	36	67	65	91	110	112	5	10.5	2.0	2.0	0.54	1.10	0.6
60	32312	91.7	46	37	3.0	2.5	1.0	31	74	72	107	118	120	6	11.5	2.0	2.0	0.35	1.70	0.9
60	32312 B	98.1	46	37	3.0	2.5	1.0	38	73	72	99	118	122	6	11.5	2.0	2.0	0.54	1.10	0.6
65	32313	99.2	48	39	3.0	2.5	1.0	33	80	77	117	128	130	6	12.0	2.0	2.0	0.35	1.70	0.9
65	32313 B	105.0	48	39	3.0	2.5	1.0	41	79	77	107	128	131	6	12.0	2.0	2.0	0.54	1.10	0.6
70	32314	106.0	51	42	3.0	2.5	1.0	36	86	82	125	138	140	6	12.0	2.0	2.0	0.35	1.70	0.9
70	32314 B	113.0	51	42	3.0	2.5	1.0	44	85	82	115	138	141	7	12.0	2.0	2.0	0.54	1.10	0.6
75	32315	113.0	55	45	3.0	2.5	1.0	38	92	87	133	148	149	7	13.0	2.0	2.0	0.35	1.70	0.9
75	32315 B	120.0	55	45	3.0	2.5	1.0	46	90	87	124	148	151	7	13.0	2.0	2.0	0.54	1.10	0.6
80	32316	120.0	58	48	3.0	2.5	1.0	41	98	92	142	158	159	7	13.5	2.0	2.0	0.35	1.70	0.9
80	32316 B	128.0	58	48	3.0	2.5	1.0	50	96	92	130	158	160	7	13.5	2.0	2.0	0.54	1.10	0.6
85	32317	126.0	60	49	4.0	3.0	1.0	42	103	99	150	166	167	7	14.5	2.5	2.5	0.35	1.70	0.9
85	32317 B	135.0	60	49	4.0	3.0	1.0	52	102	99	138	166	169	7	14.5	2.5	2.5	0.54	1.10	0.6
90	32318	133.0	64	53	4.0	3.0	1.0	44	109	104	157	176	177	7	14.5	2.5	2.5	0.35	1.70	0.9
95	32319	141.0	67	55	4.0	3.0	1.0	47	115	109	166	186	186	8	16.5	2.5	2.5	0.35	1.70	0.9
100	32320	151.0	73	60	4.0	3.0	1.0	51	123	114	177	201	200	8	17.5	2.5	2.5	0.35	1.70	0.9
105	32321	158.0	77	63	4.0	3.0	1.0	53	129	119	185	211	209	9	18.5	2.5	2.5	0.35	1.70	0.9
110	32322	168.0	80	65	4.0	3.0	1.0	55	137	124	198	226	222	9	19.5	2.5	2.5	0.35	1.70	0.9
120	32324	181.0	86	69	4.0	3.0	1.0	60	148	134	213	246	239	9	21.5	2.5	2.5	0.35	1.70	0.9
130	32326	196.0	93	78	5.0	4.0	1.5	66	160	148	230	262	260	10	20.5	3.0	3.0	0.35	1.70	0.9
150	32330	226.0	108	90	5.0	4.0	1.5	76	183	168	264	302	299	12	24.0	3.0	3.0	0.35	1.70	0.8

